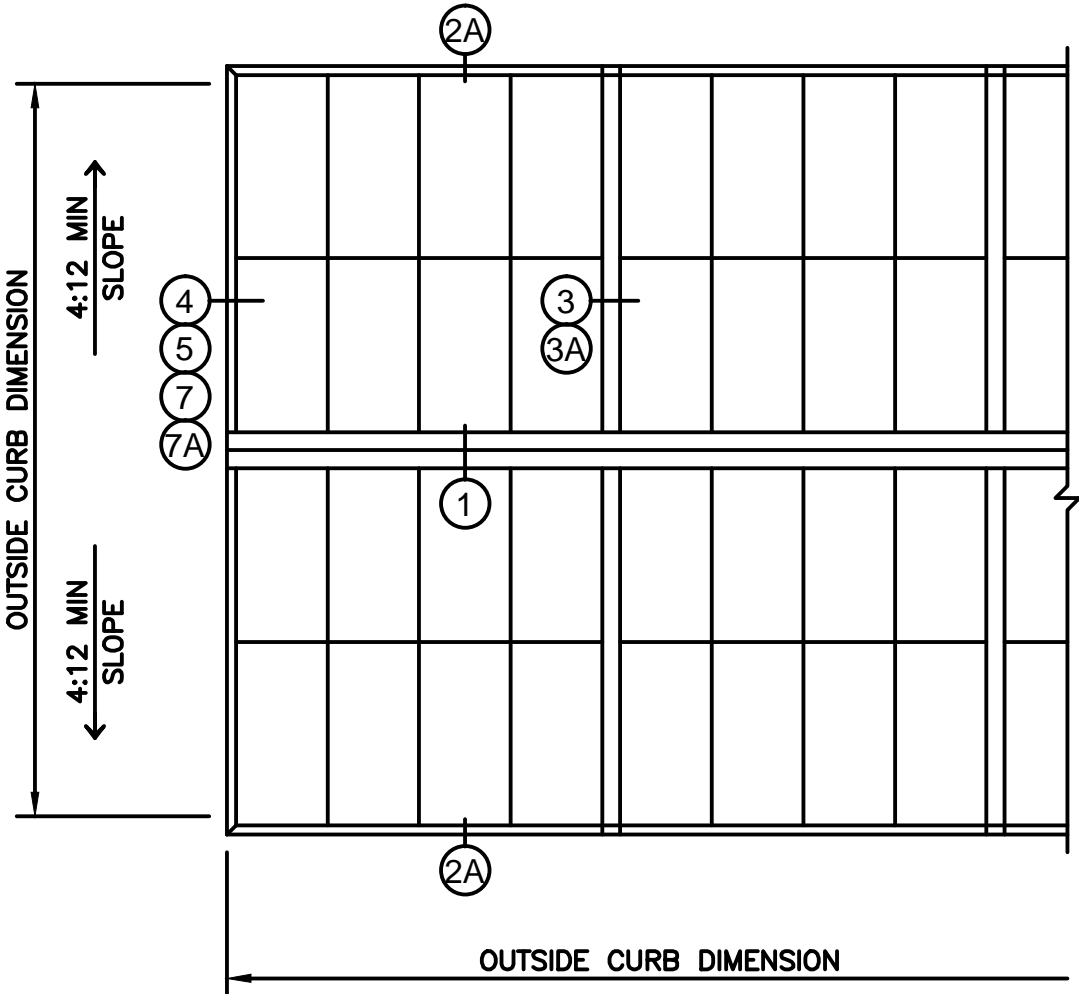
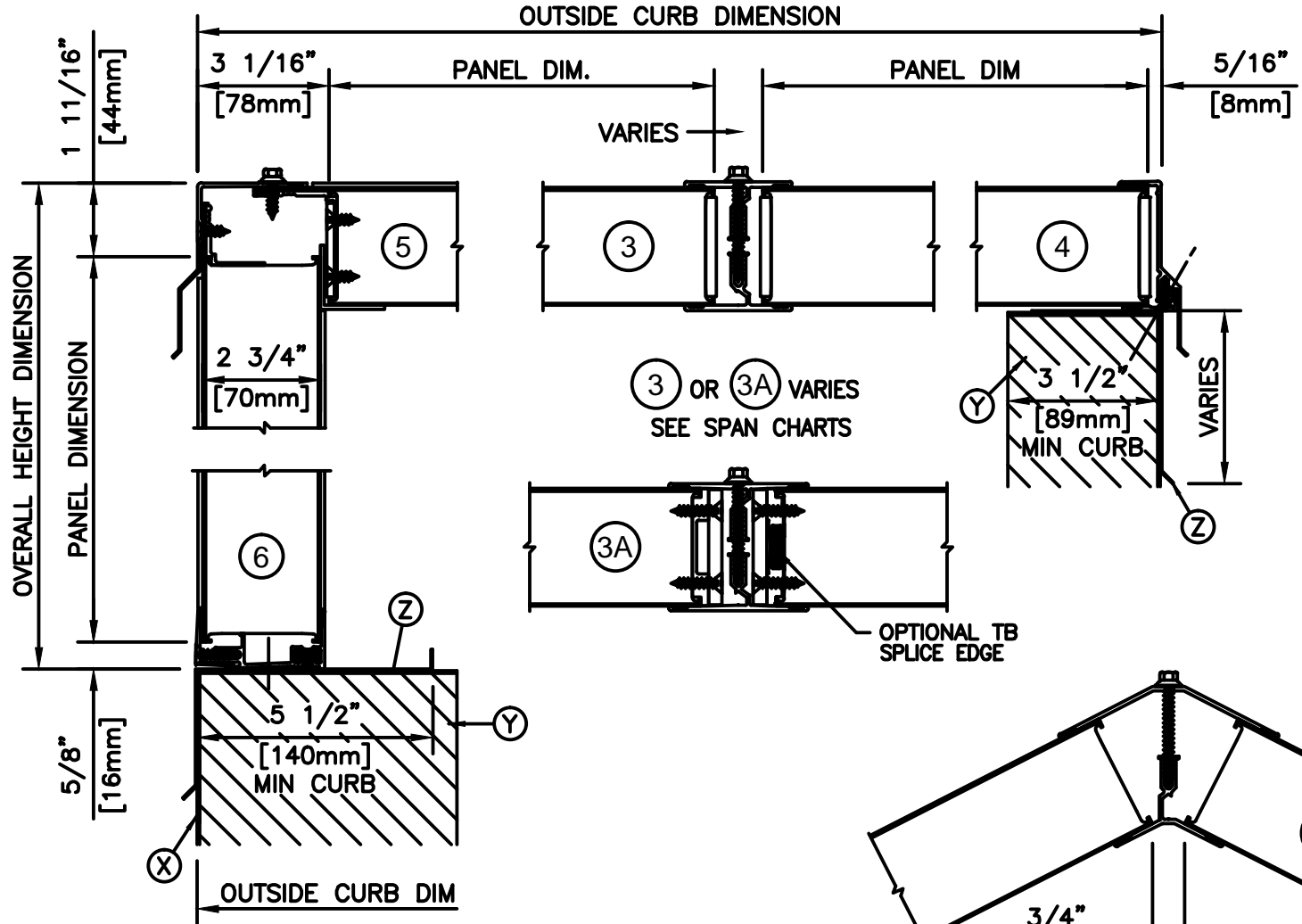
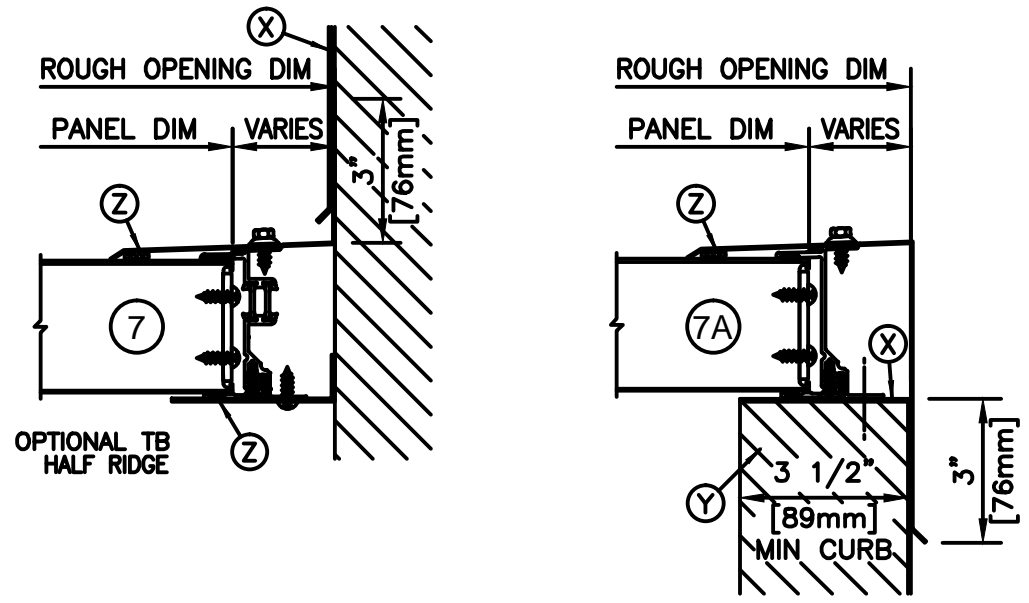
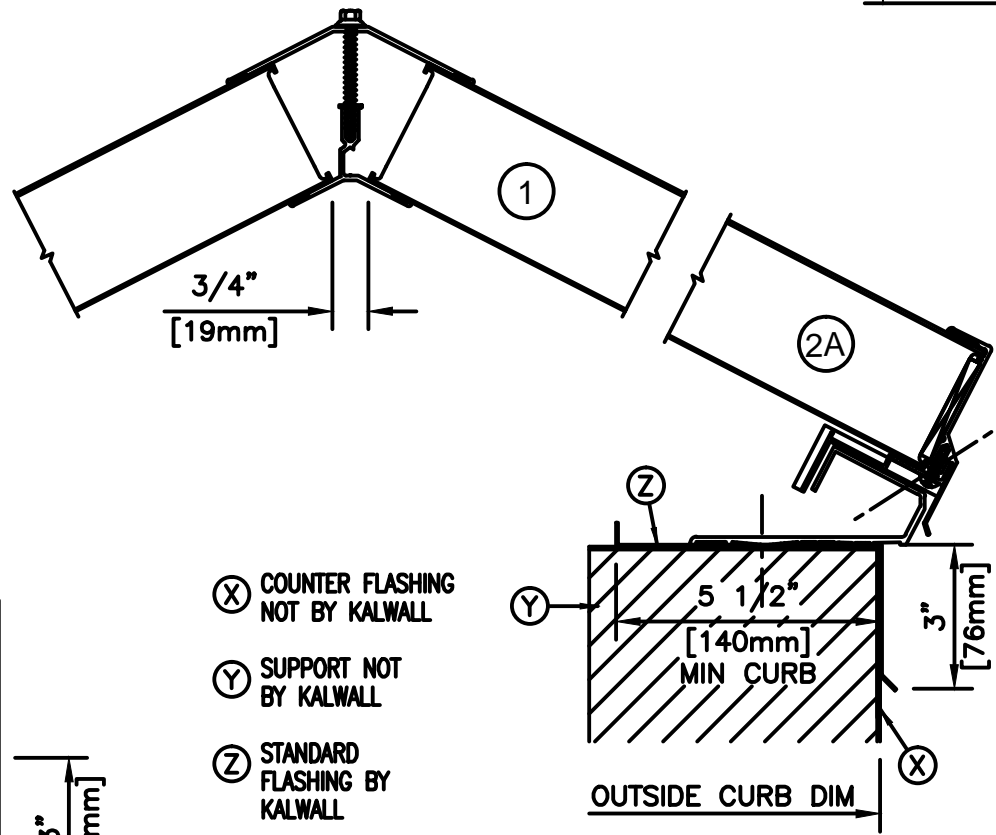


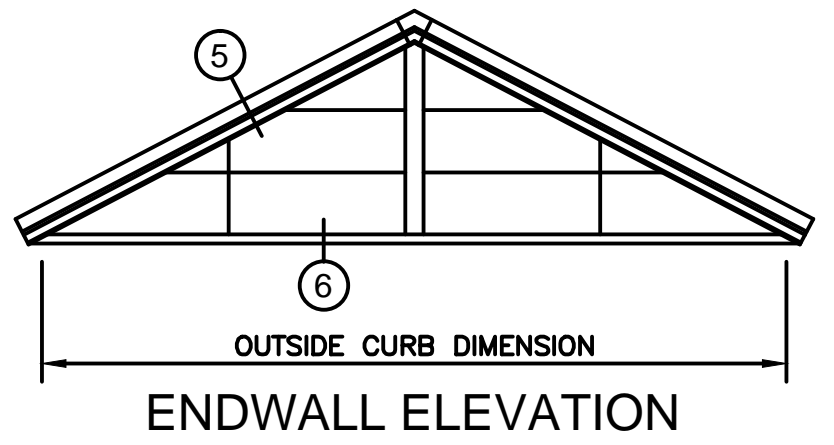
SELF SUPPORTING RIDGE ROOFS



ROOF PLAN



- (X) COUNTER FLASHING NOT BY KALWALL
- (Y) SUPPORT NOT BY KALWALL
- (Z) STANDARD FLASHING BY KALWALL



ENDWALL ELEVATION

KALWALL[®]
high performance translucent building systems