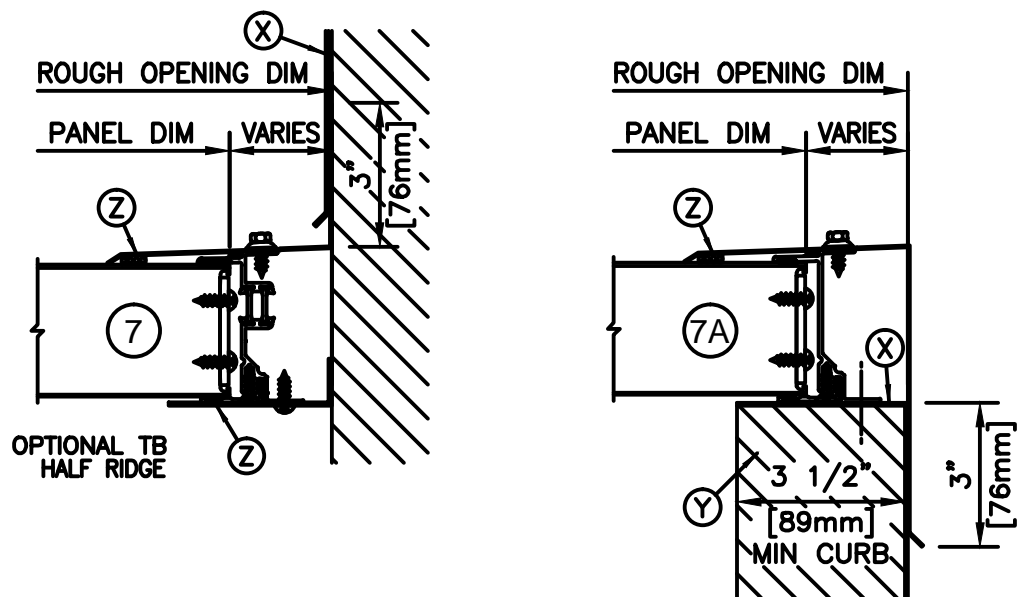
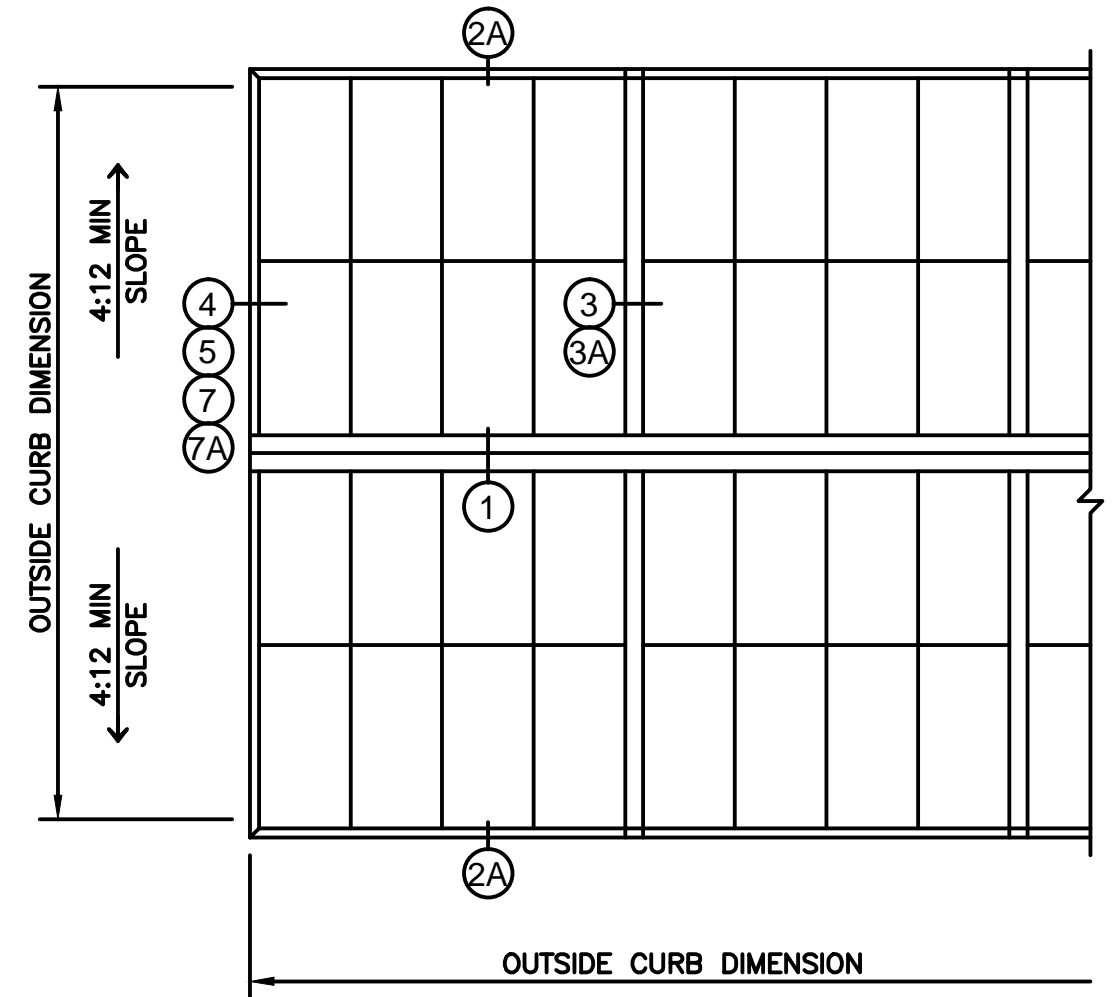
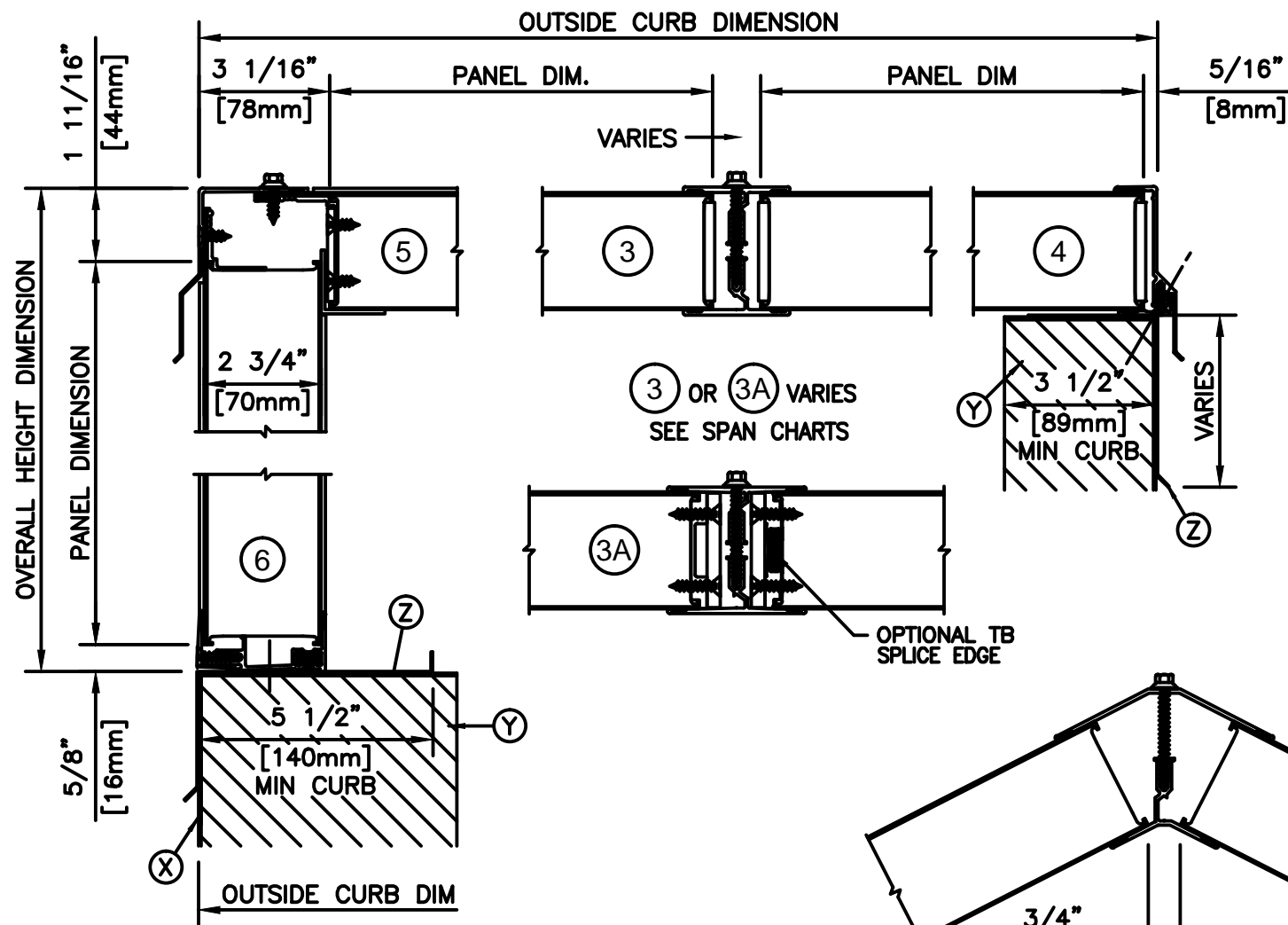
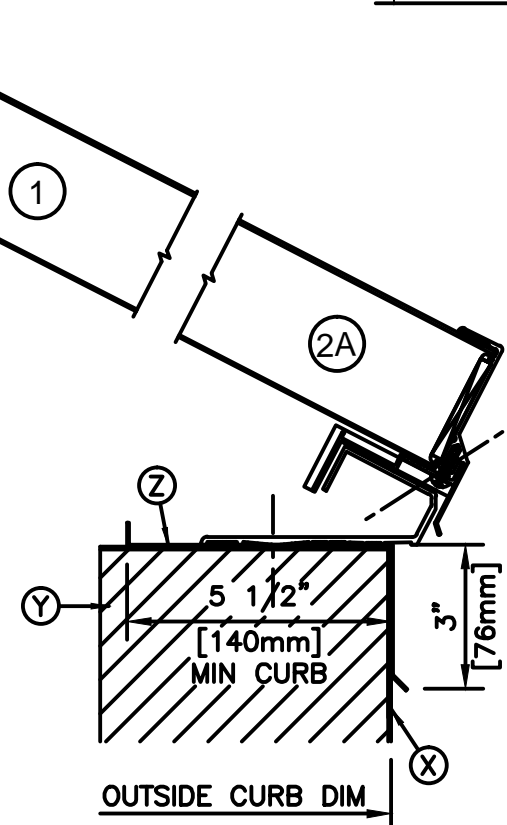


SELF SUPPORTING RIDGE ROOFS



- (X) COUNTER FLASHING NOT BY KALWALL
- (Y) SUPPORT NOT BY KALWALL
- (Z) STANDARD FLASHING BY KALWALL



KALWALL[®]

high performance translucent building systems