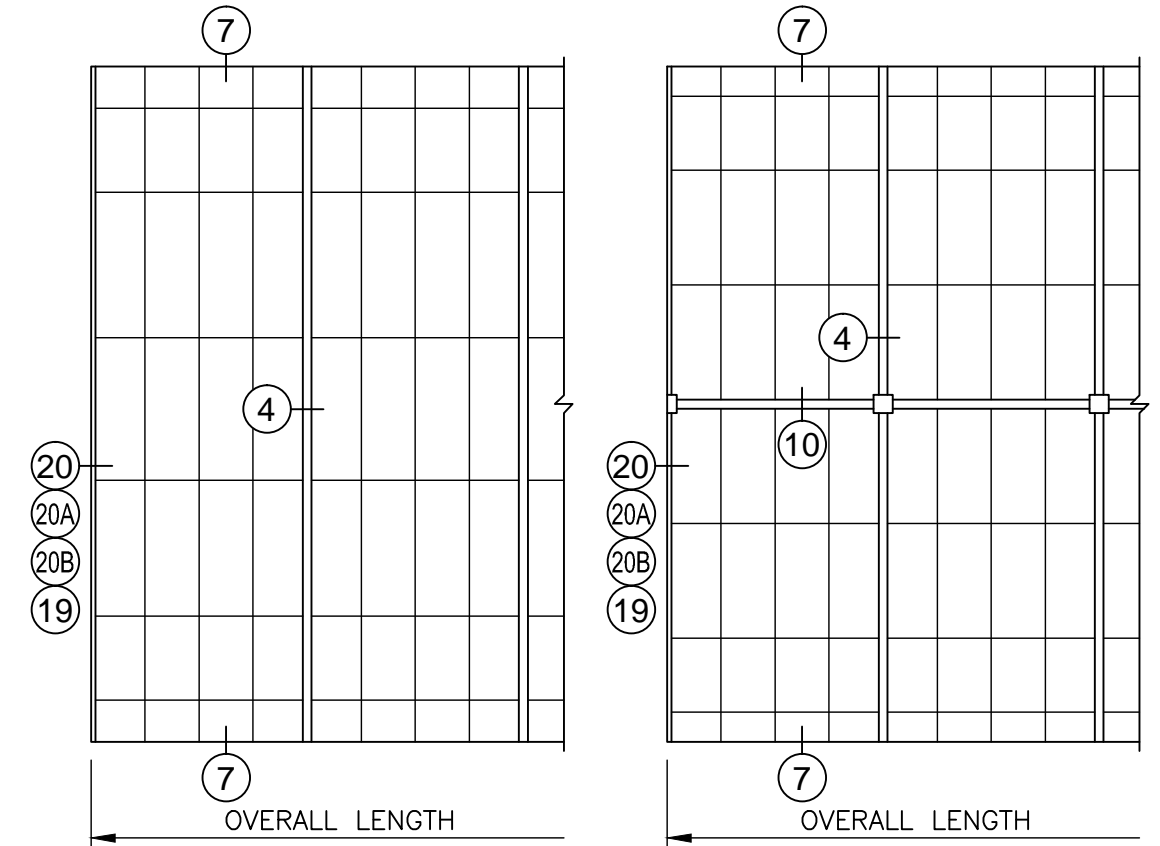
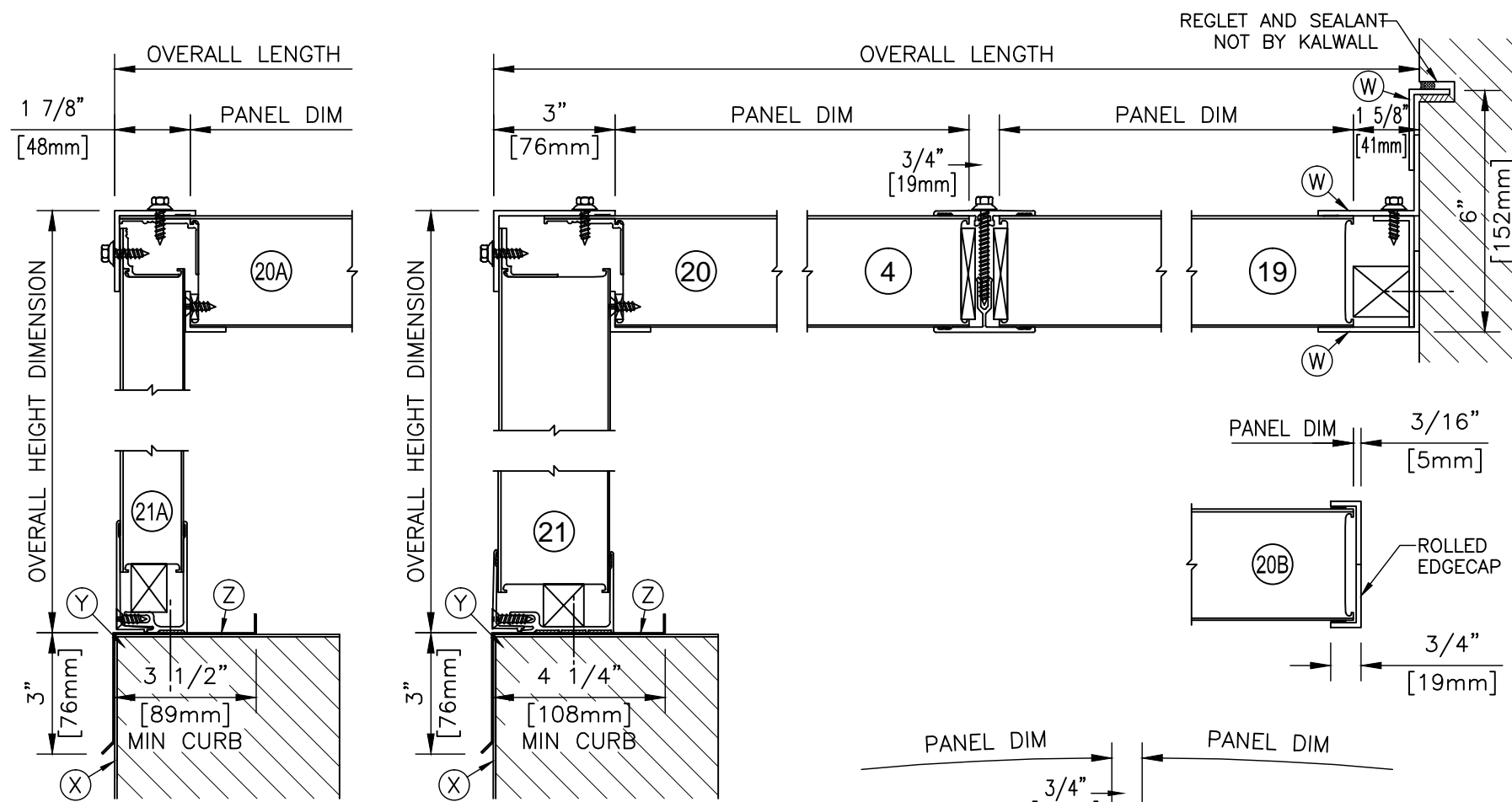
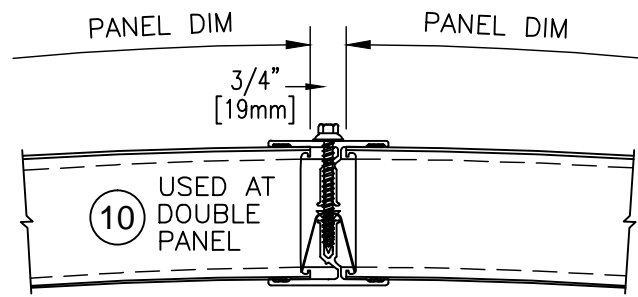


# KALCURVE 180° ROOFS

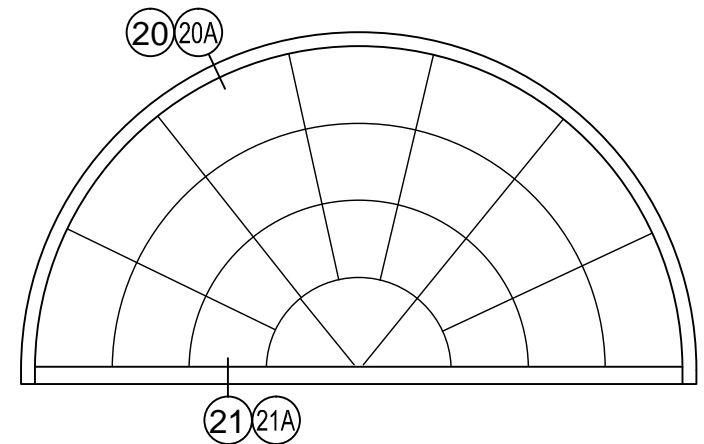
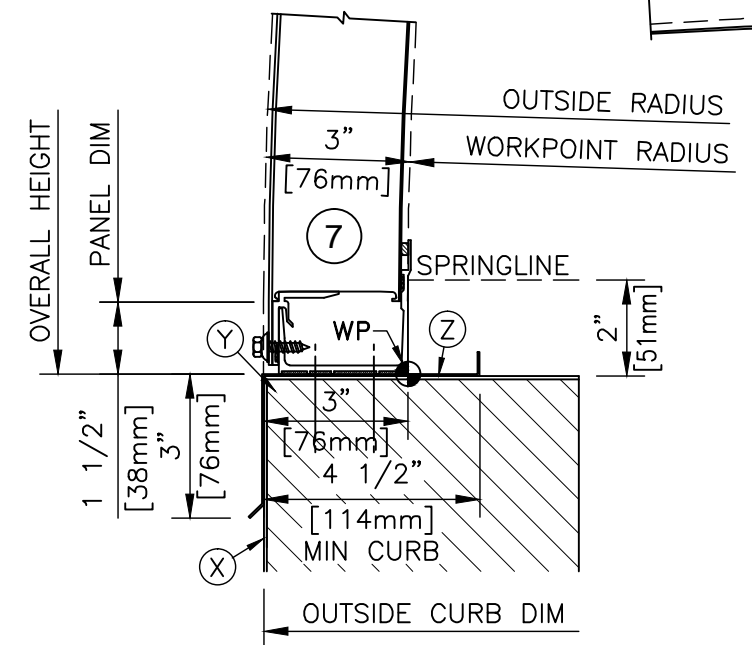


ROOF PLAN  
SINGLE PANEL VAULT

ROOF PLAN  
DOUBLE PANEL VAULT



- (V) BENT PLATE BY KALWALL
- (W) ROLLED ANGLE BY KALWALL
- (X) COUNTER FLASHING NOT BY KALWALL
- (Y) SUPPORT NOT BY KALWALL
- (Z) STANDARD FLASHING BY KALWALL



ENDWALL ELEVATION  
STANDARD 180° VAULT

**KALWALL**<sup>®</sup>  
high performance translucent building systems