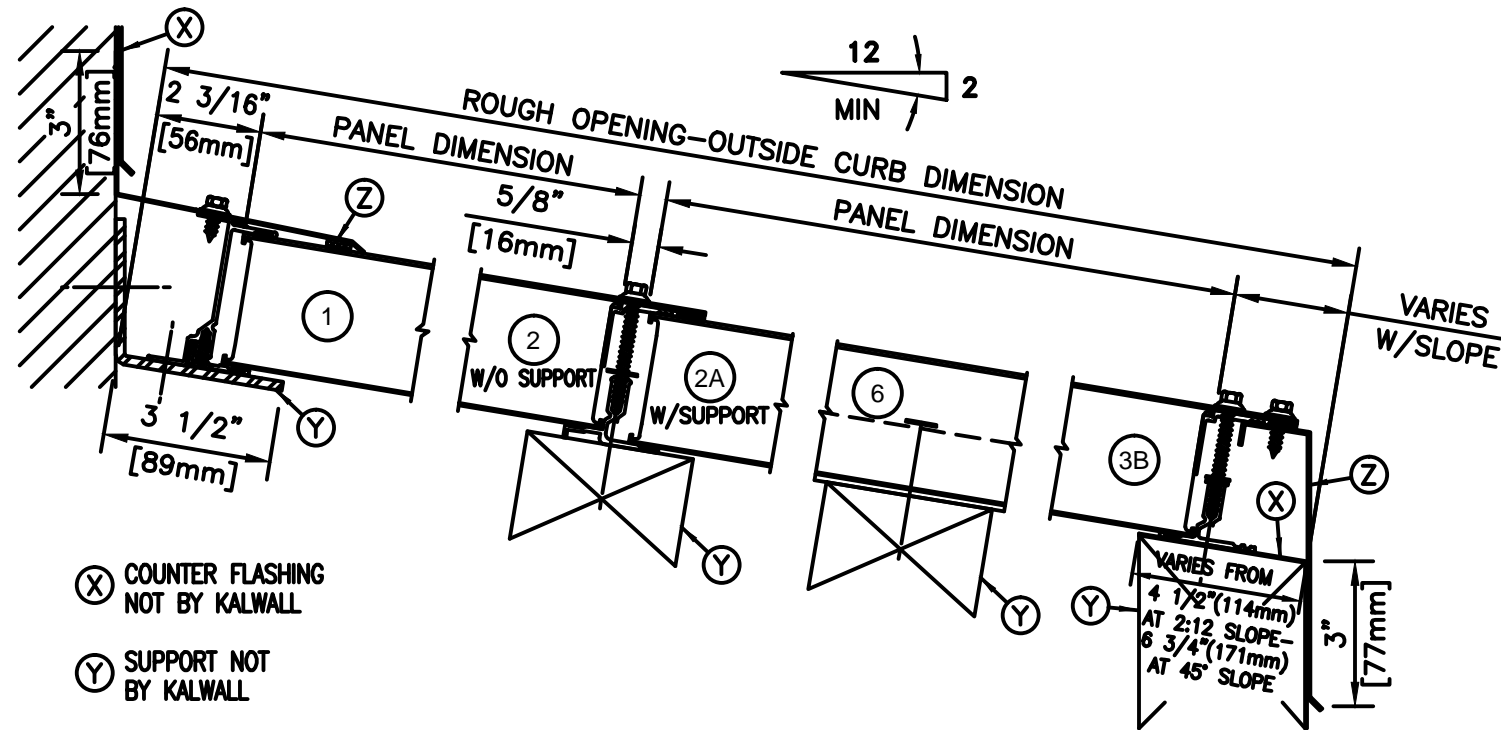
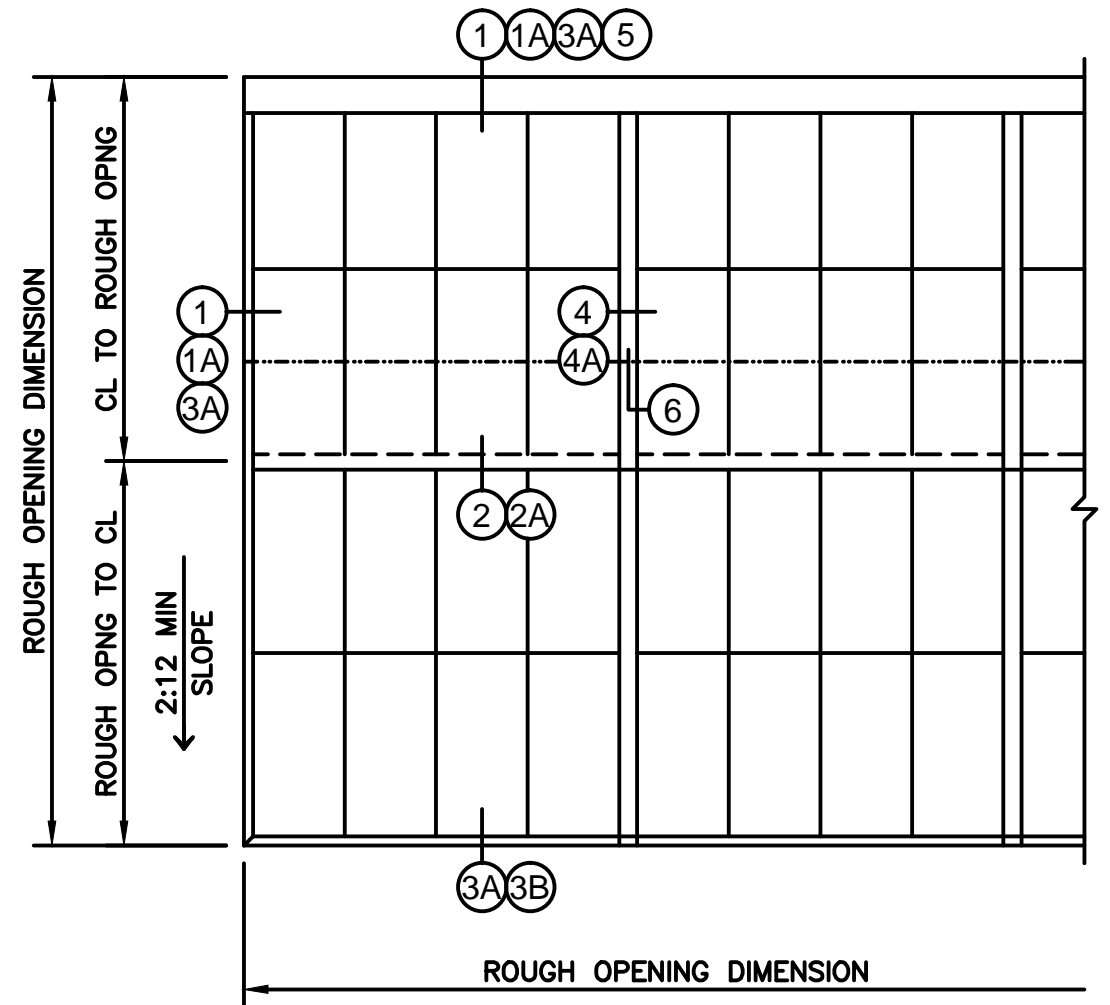


SUPPORTED ROOFS



- (X) COUNTER FLASHING NOT BY KALWALL
- (Y) SUPPORT NOT BY KALWALL
- (Z) STANDARD FLASHING BY KALWALL

VARIES FROM
 4 1/2" (114mm)
 AT 2:12 SLOPE -
 6 3/4" (171mm)
 AT 45° SLOPE



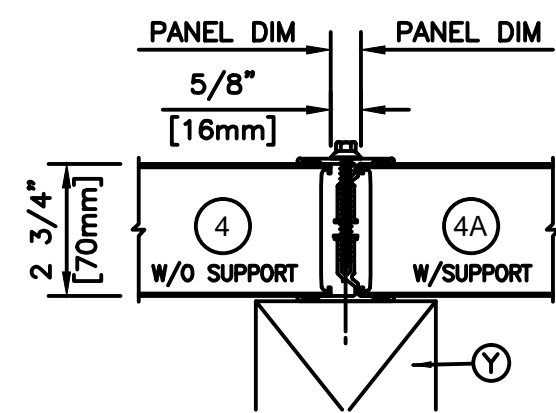
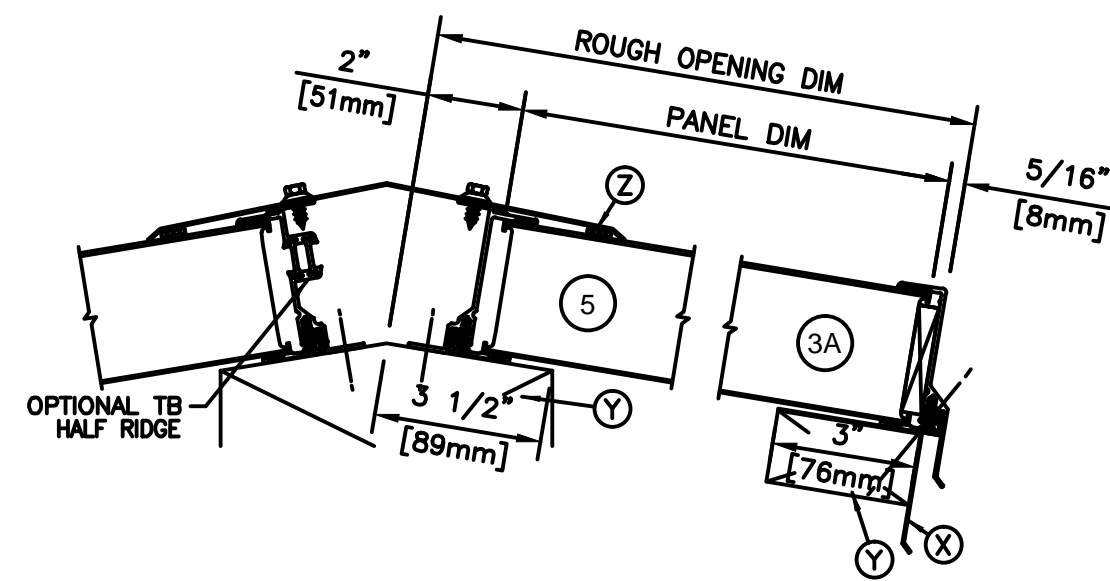
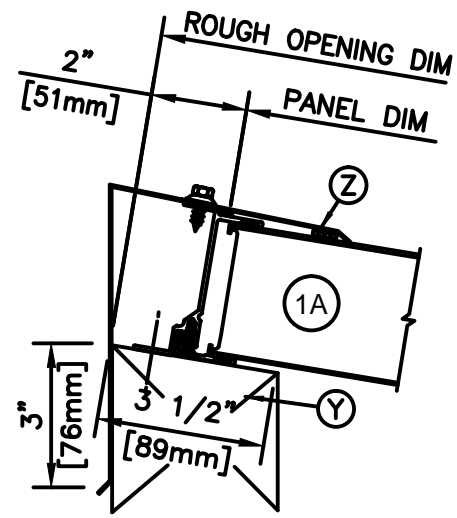
ROUGH OPENING DIMENSION

ROUGH OPNG TO CL

2:12 MIN SLOPE

ROUGH OPENING DIMENSION

ROUGH PLAN



KALWALL[®]
 high performance translucent building systems