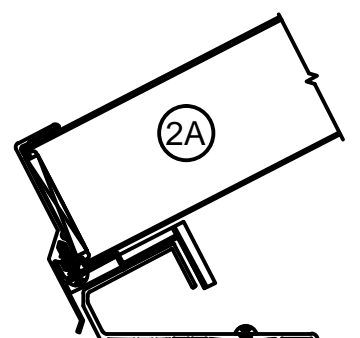
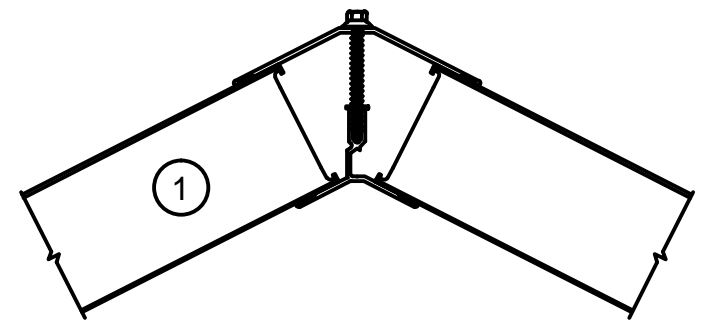
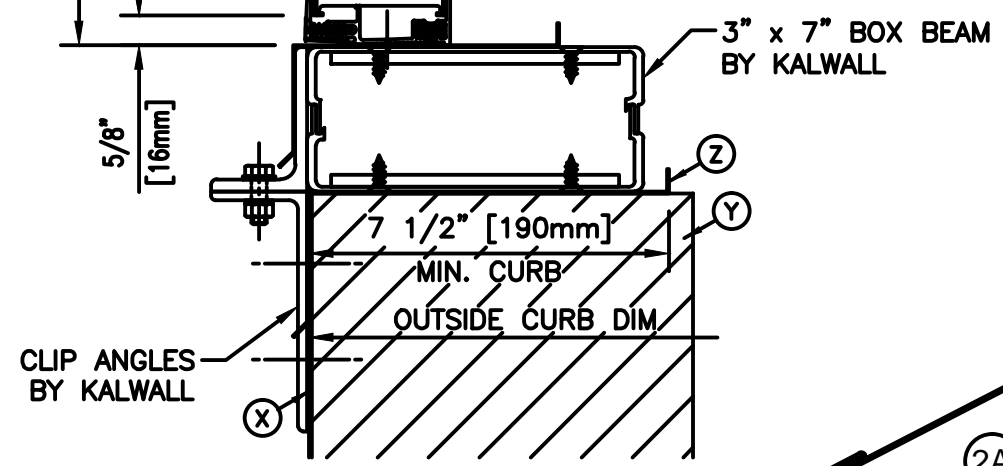
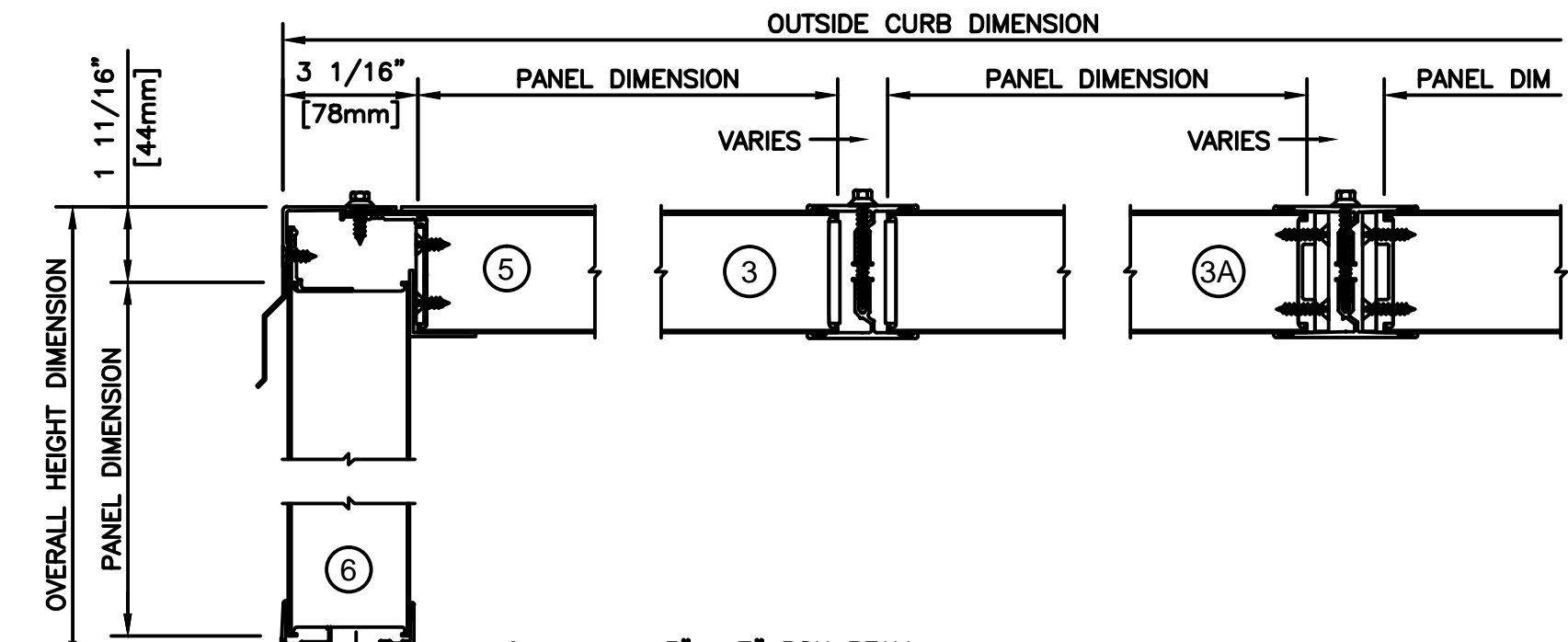
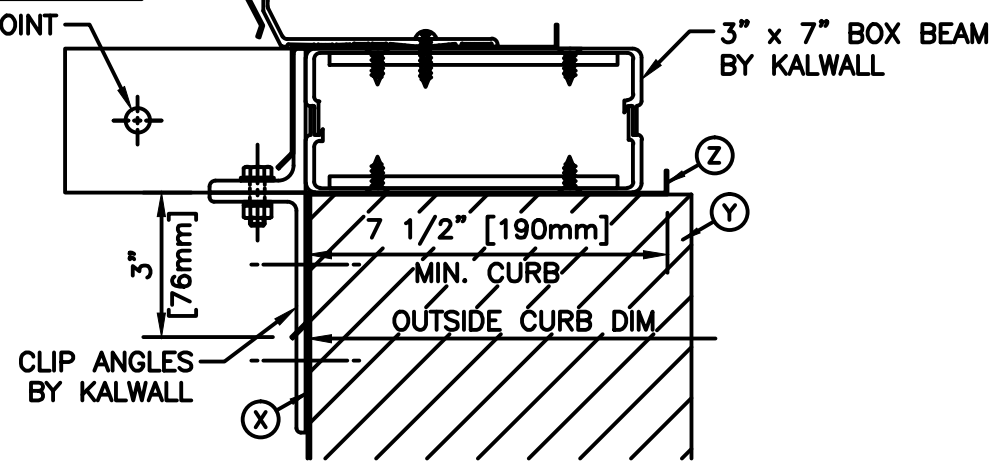


REMOVABLE SELF-SUPPORTING RIDGE ROOFS

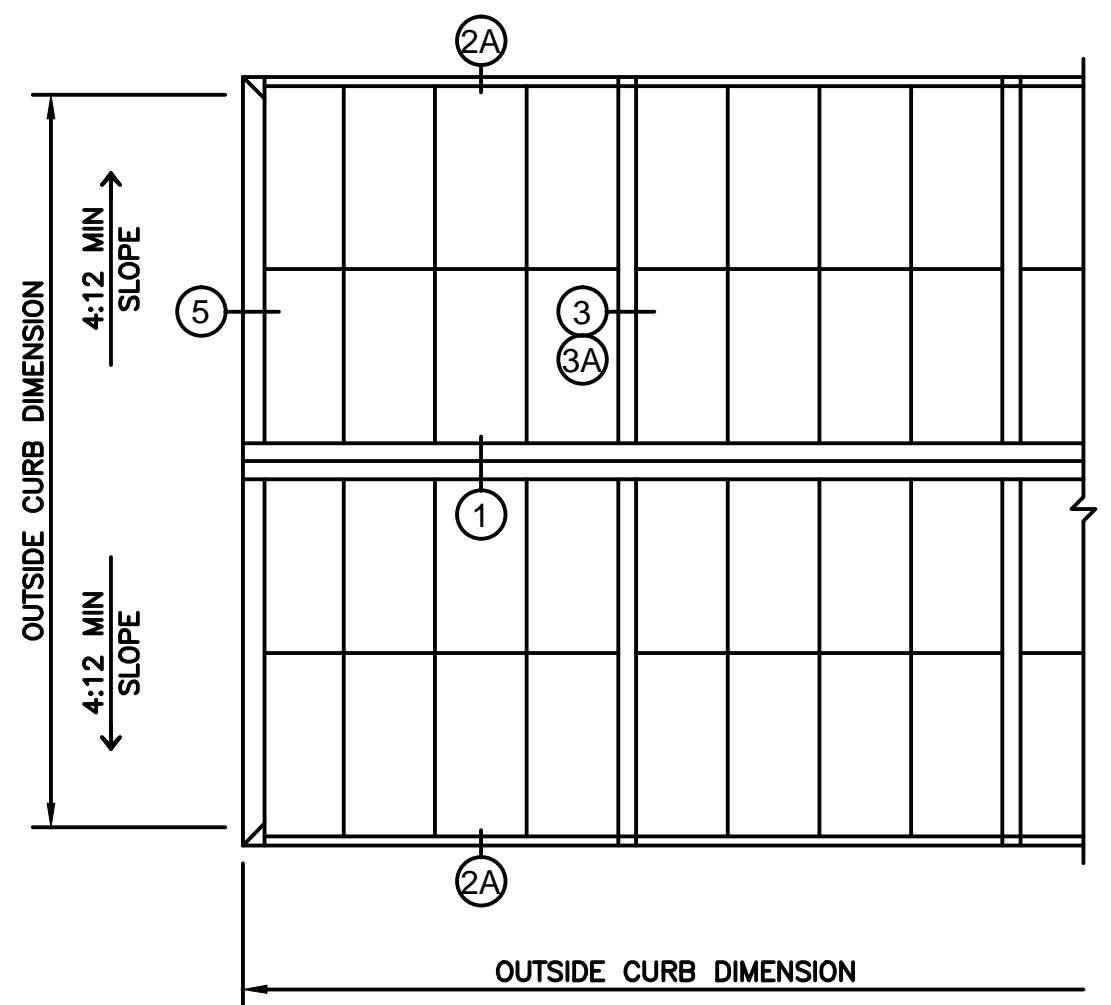


SPREADER BAR REQUIRED TO LIFT VERTICALLY

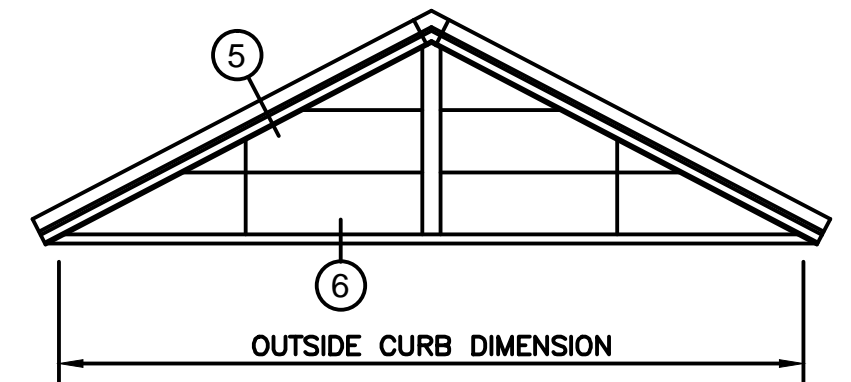
LIFTING POINT



- (X) MEMBRANE/COUNTER FLASHING NOT BY KALWALL
- (Y) SUPPORT NOT BY KALWALL
- (Z) STANDARD FLASHING BY KALWALL



ROOF PLAN



ENDWALL ELEVATION

SIZE LIMITATIONS
 4' (1219mm) MIN SPAN
 25' (7620mm) MAX LENGTH
 225 FT² (21 M²) MAX AREA

NOTE: AVAILABLE WITH KALWALL ENDWALLS AS SHOWN OR WITH HIP ENDS

KALWALL[®]
 high performance translucent building systems