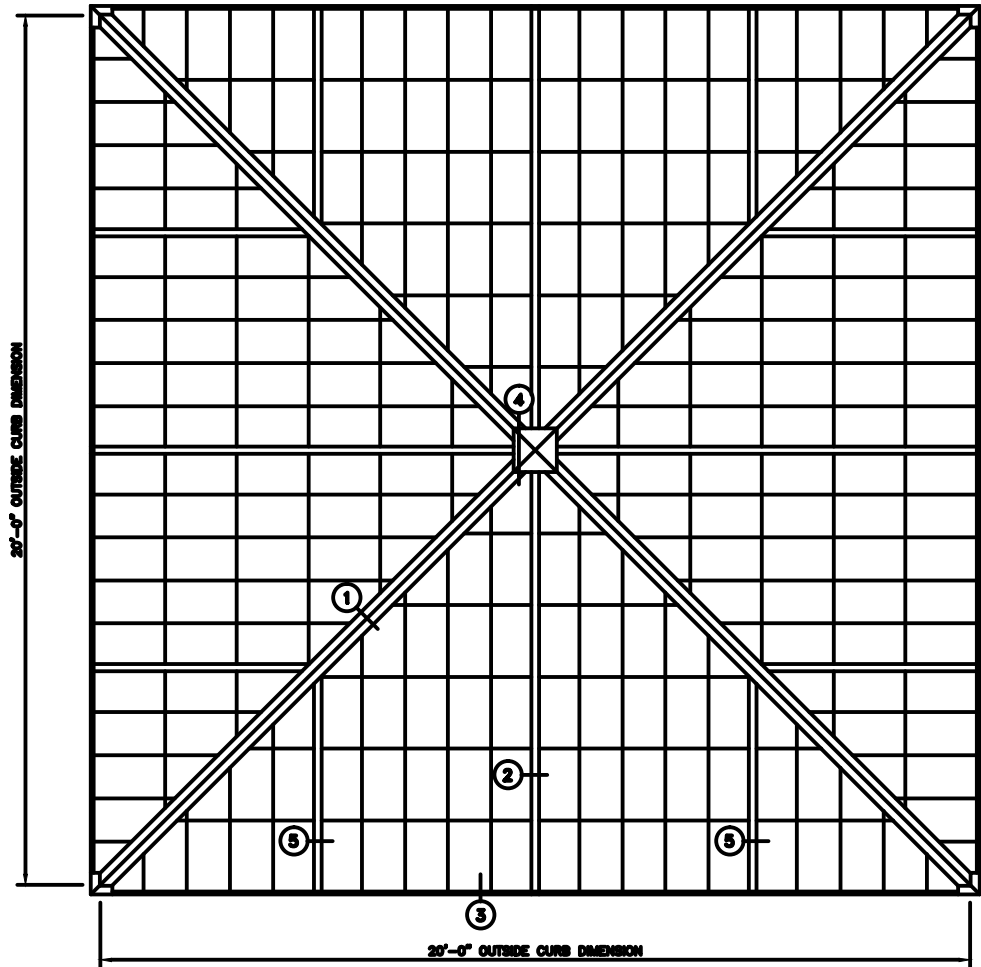
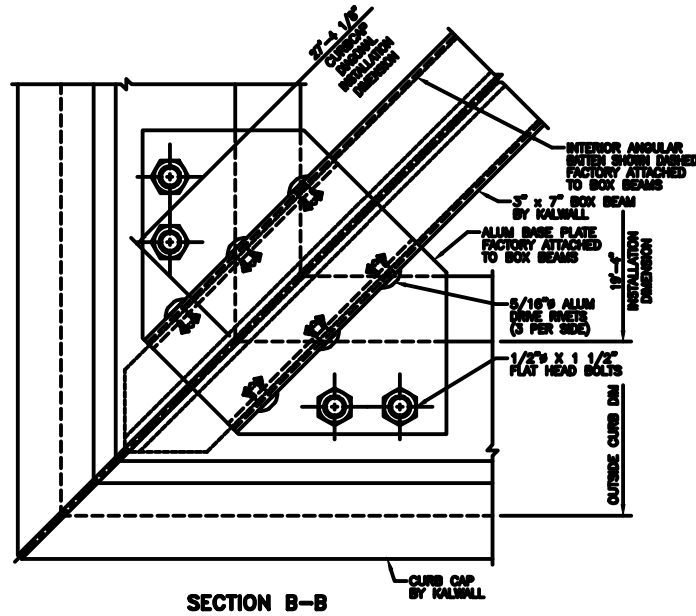


27.25° - 20'-0" PYRAMID

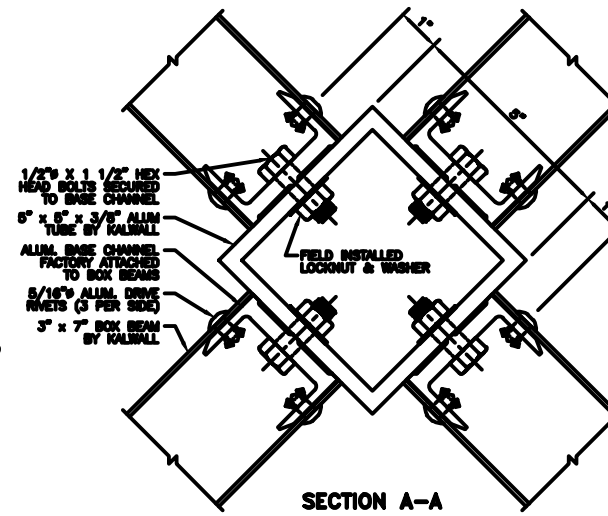


PYRAMID PLAN
NOTE: SHIPPED IN 8 UNITS

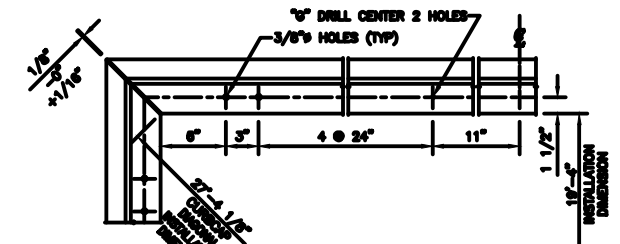
27.25° SLOPE
27.25° SLOPE



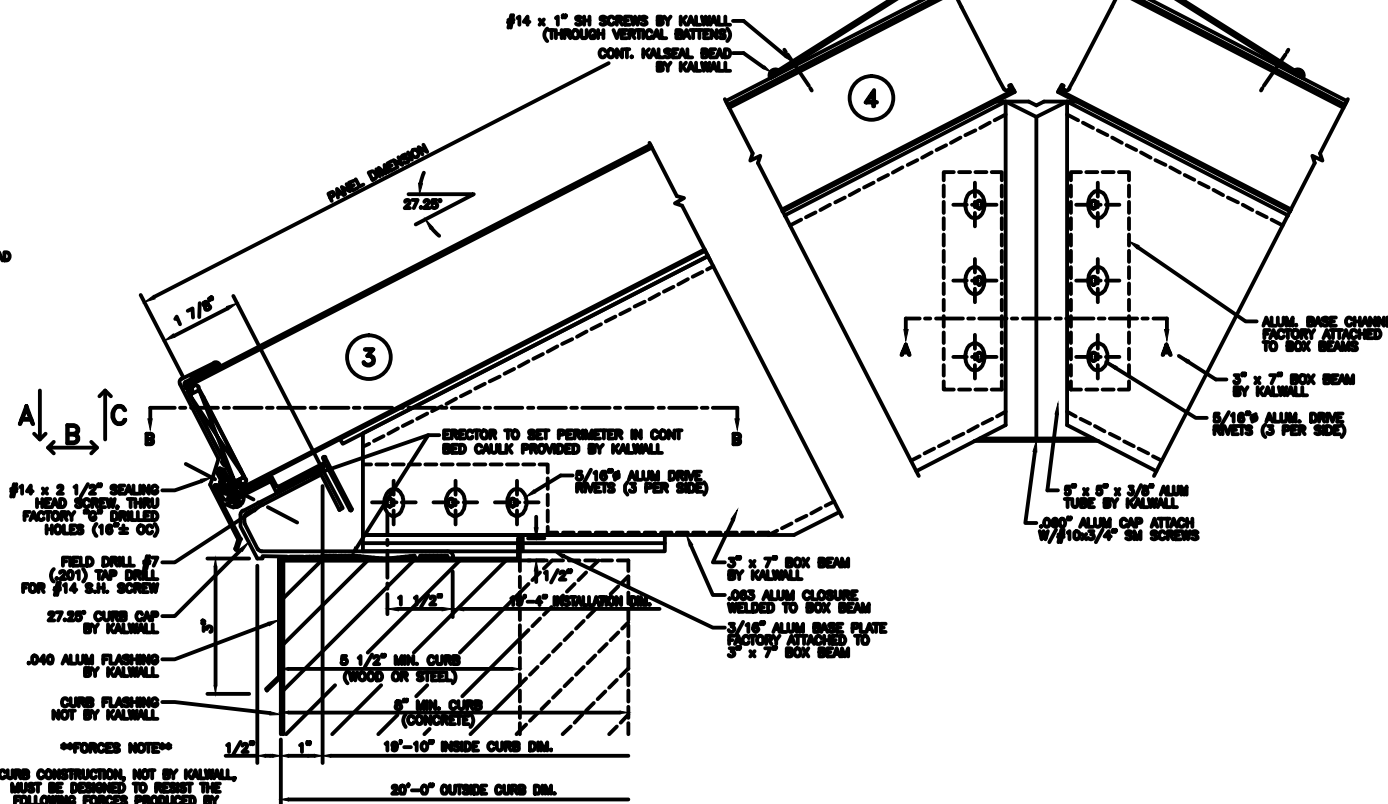
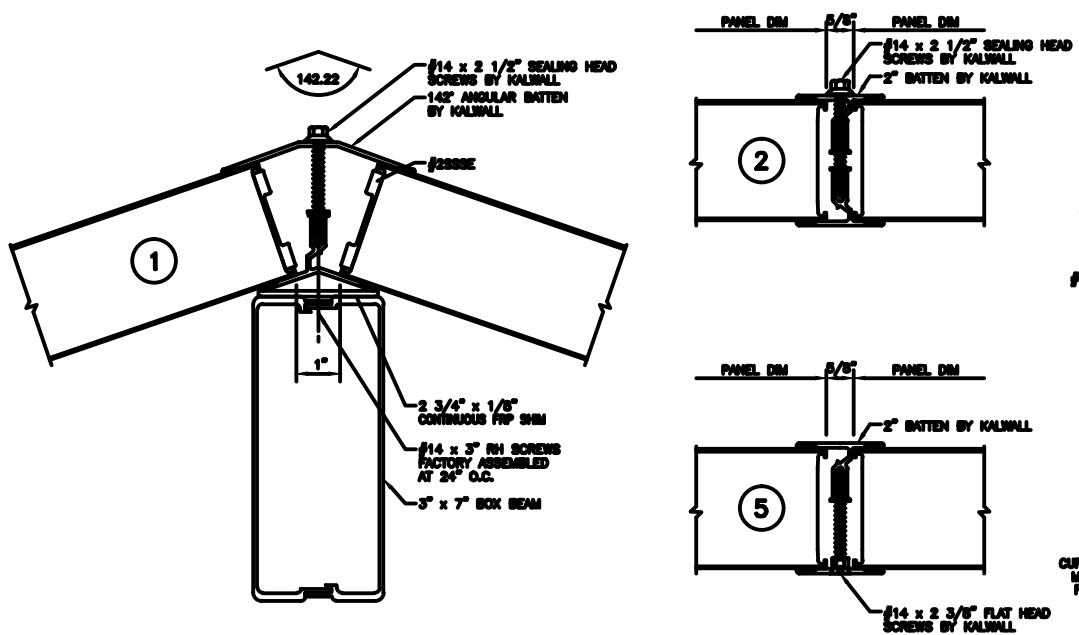
SECTION B-B



SECTION A-A



CURB CAP PLAN



****FORCED NOTE****
CURB CONSTRUCTION, NOT BY KALWALL, MUST BE DESIGNED TO RESIST THE FOLLOWING FORCES PRODUCED BY
A: PEF LIVE LOAD
A: PEF WIND LOAD
A: PEF SNOW LOAD
A: PEF DRIFT LOAD

A: _____ LBS/SIDE
B: _____ LBS/SIDE
C: _____ LBS/SIDE

SUGGESTED FASTENING OF CURB CAP TO CURB

CURB TYPE	FASTENER & SPACING
WOOD	#14 R.H. S.S. - 4" L.G. 24" O.C.
STEEL	#14 R.H. S.S. - 1" L.G. 24" O.C.
CONCRETE	1/4" x 3 1/2" POWER STUD CH #7000 24" O.C.

SHOT SUPPLIED BY KALWALL UNLESS INSTALLED BY KALWALL
ALL FASTENERS TO BE IN HOLE 1/8" LARGER THAN FASTENER DIA.
HOLE AT CENTER OF CURB TO BE SAME DIA. AS FASTENER