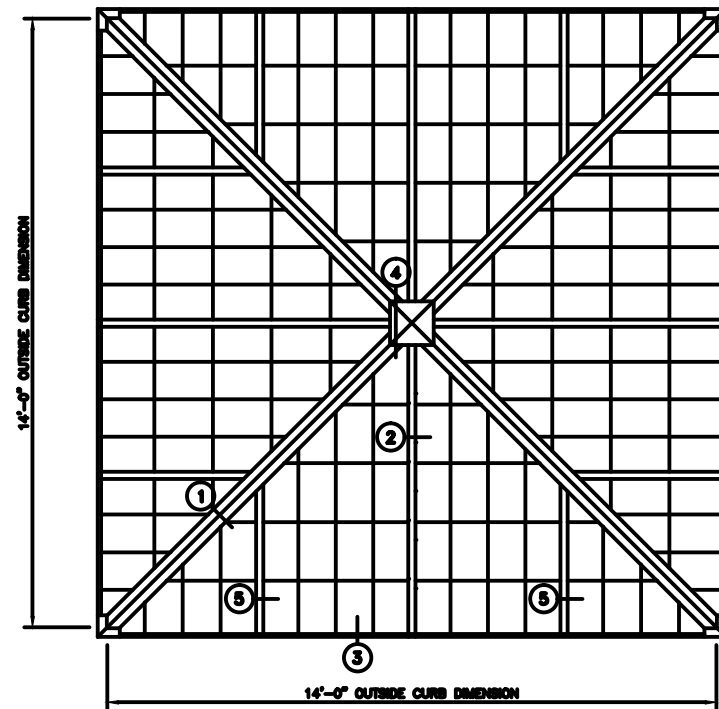


45° - 14'-0" PYRAMID

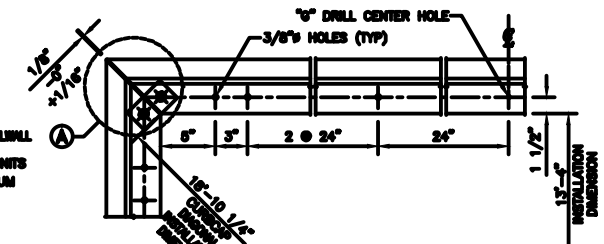
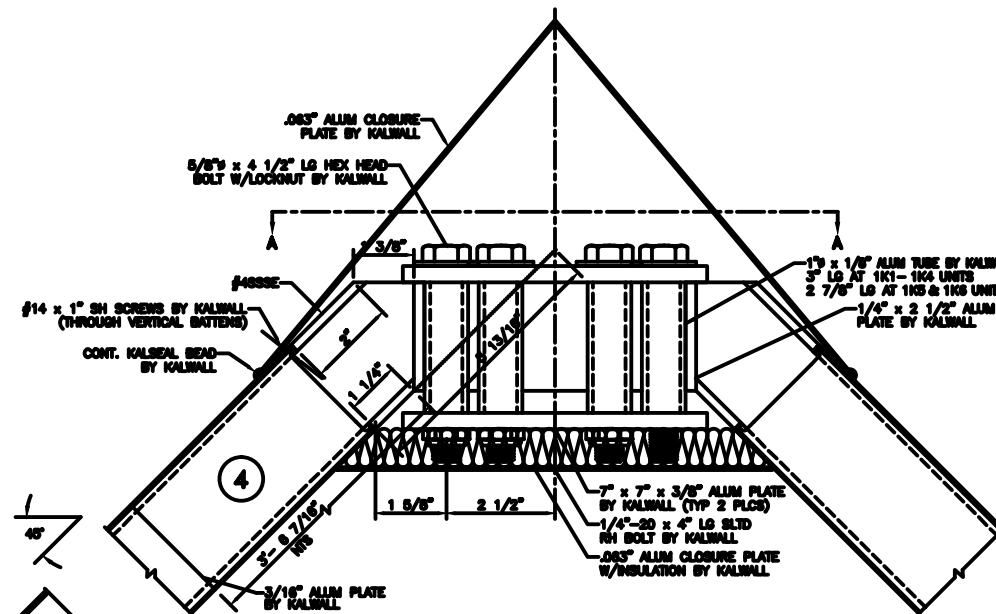
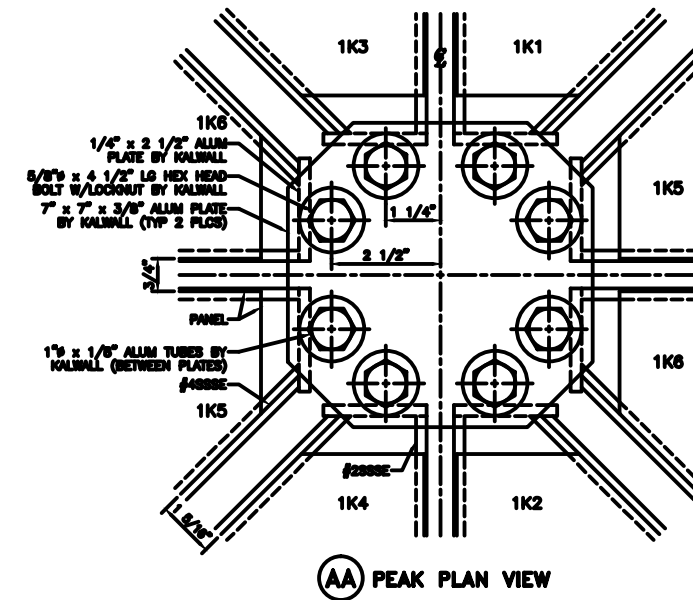
**** SHOP NOTE ****
 1K1, 1K2, 1K3 & 1K4 UNITS HAVE INT. ANGULAR BATTENS FACTORY ATTACHED (SEE DETAIL)
 1K1, 1K2 & 1K5 UNITS HAVE INTERIOR TEE BATTENS FACTORY ATTACHED (SEE DETAIL)
 EXTERIOR ANGULAR BATTEN DRILLED 5" FROM TOP & 5" FROM BOTTOM
 EXTERIOR TEE BATTEN DRILLED 5" FROM TOP

**** INSTALLER NOTE ****
 ORDER OF FIELD ASSEMBLY
 1 2 3 4 5 6 7 8
 1K1 1K2 1K3 1K4 1K5 1K6 1K8 1K9
 NOTE: TIGHTEN ALL SCREW BOLTS AND ATTACH INSULATION PLATE BEFORE INSTALLING THE LAST 1K5 UNIT

UNIT	FACTORY INSTALLED INTERIOR BATTEN	1" TUBE AT TOP OF UNIT
1K1	2" TEE AND ANGULAR HP BATTEN	3" LG
1K2	2" TEE AND ANGULAR HP BATTEN	3" LG
1K3	ANGULAR HP BATTEN	3" LG
1K4	ANGULAR HP BATTEN	3" LG
1K5	2" TEE BATTEN	2 7/8" LG
1K6	NONE	2 7/8" LG



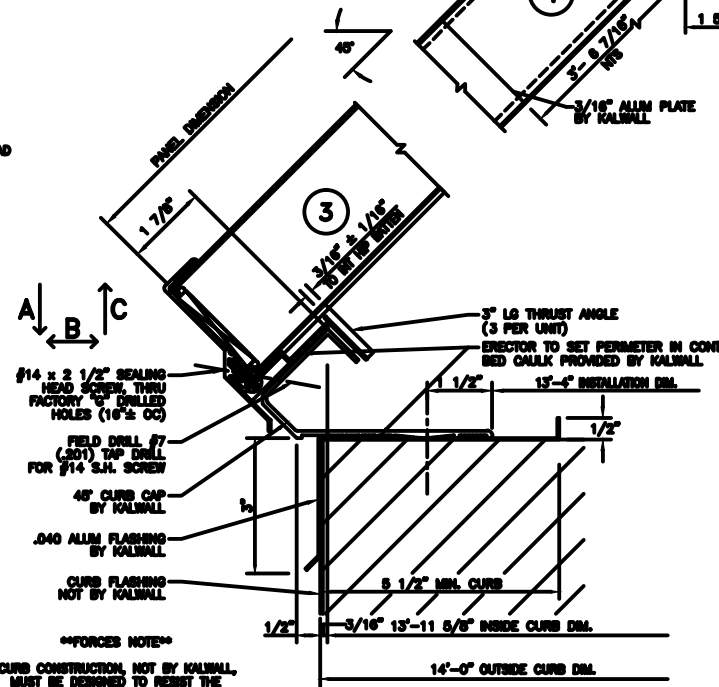
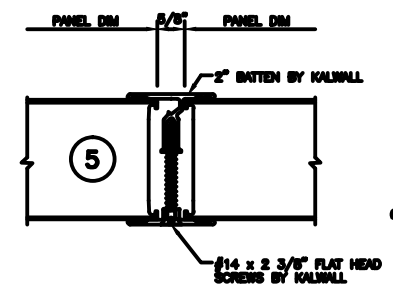
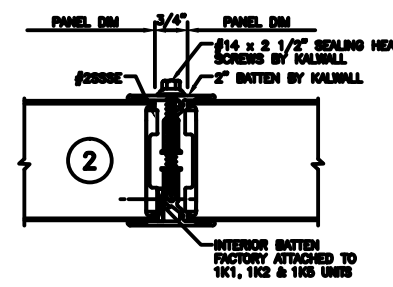
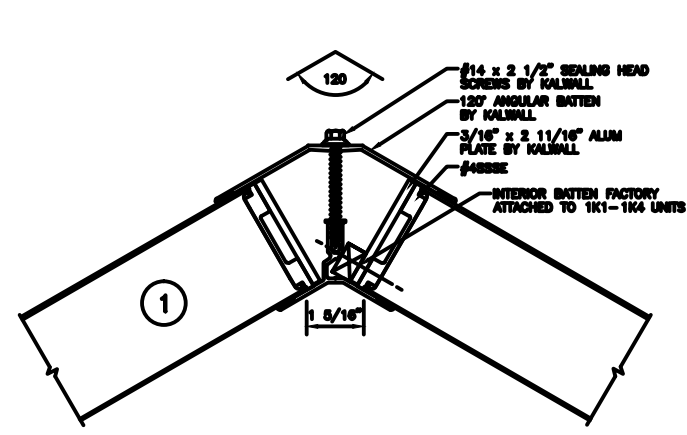
PYRAMID PLAN
 NOTE: SHIPPED IN 8 UNITS



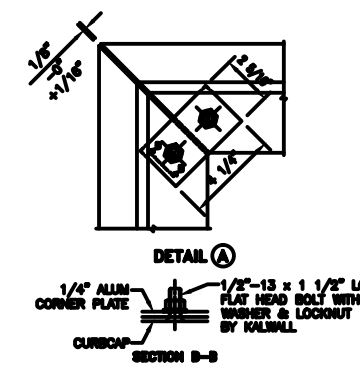
CURB CAP PLAN

CURB TYPE	FASTERER &	SPACING
WOOD	#14 R.H. S.S. - 4" LG.	24" O.C.
STEEL	#14 R.H. S.S. - 1" LG.	24" O.C.
CONCRETE	1/4" x 3 1/4" POWER STUD CH #7404	24" O.C.

NOT SUPPLIED BY KALWALL UNLESS INSTALLED BY KALWALL
 ALL FASTENERS TO BE IN HOLE 1/8" LARGER THAN FASTENER DIA.
 HOLE AT CENTER OF CURB TO BE SAME DIA. AS FASTENER



****FORCES NOTE****
 CURB CONSTRUCTION, NOT BY KALWALL, MUST BE DESIGNED TO RESIST THE FOLLOWING FORCES PRODUCED BY
 A: PEF LIVE LOAD
 A: PEF WIND LOAD
 A: PEF SNOW LOAD
 A: PEF DRIFT LOAD
 A: _____ LBS/SIDE
 B: _____ LBS/SIDE
 C: _____ LBS/SIDE



DETAIL A

KALWALL[®]
 high performance translucent building systems