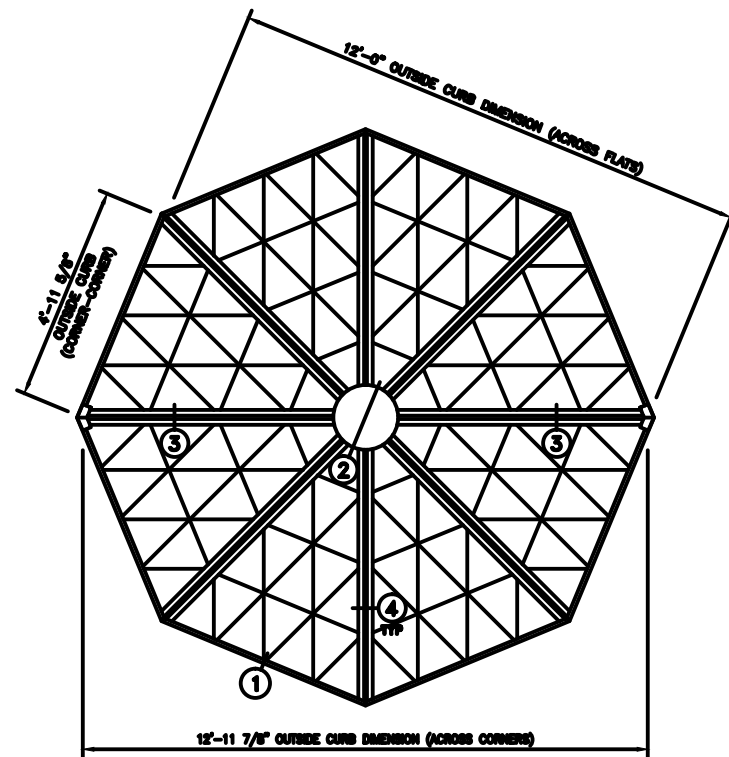
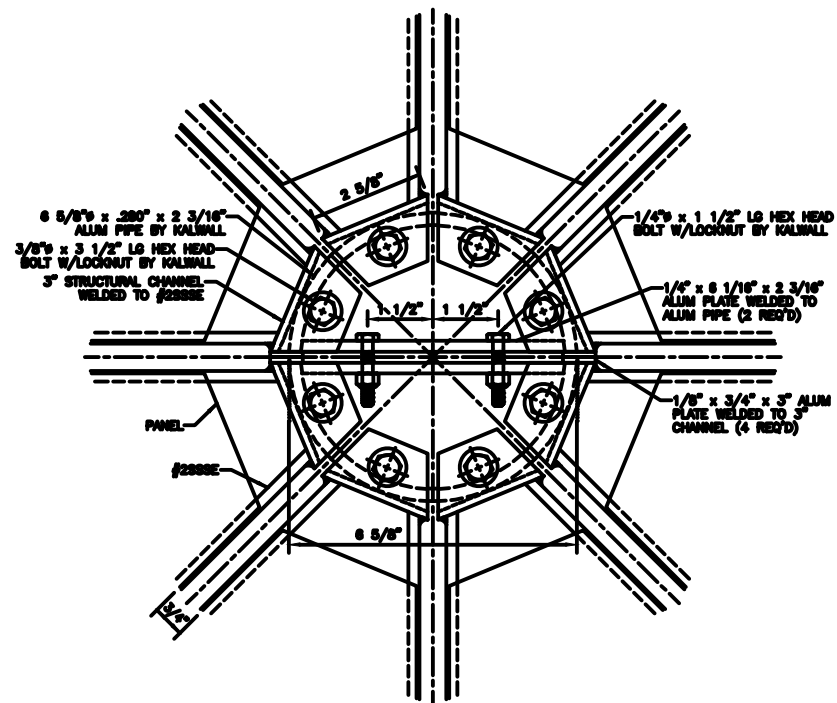


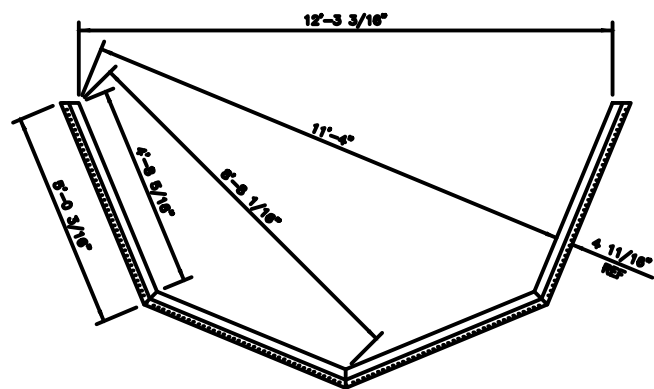
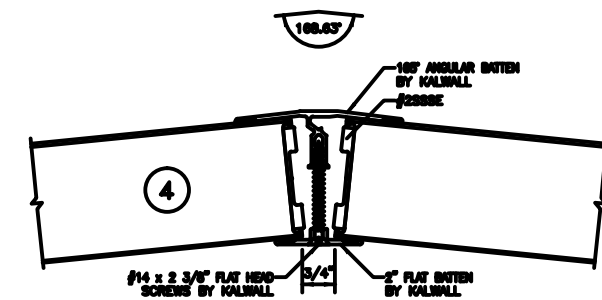
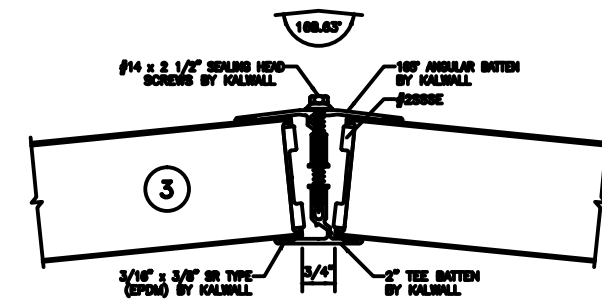
12'-0" GEO ROOF



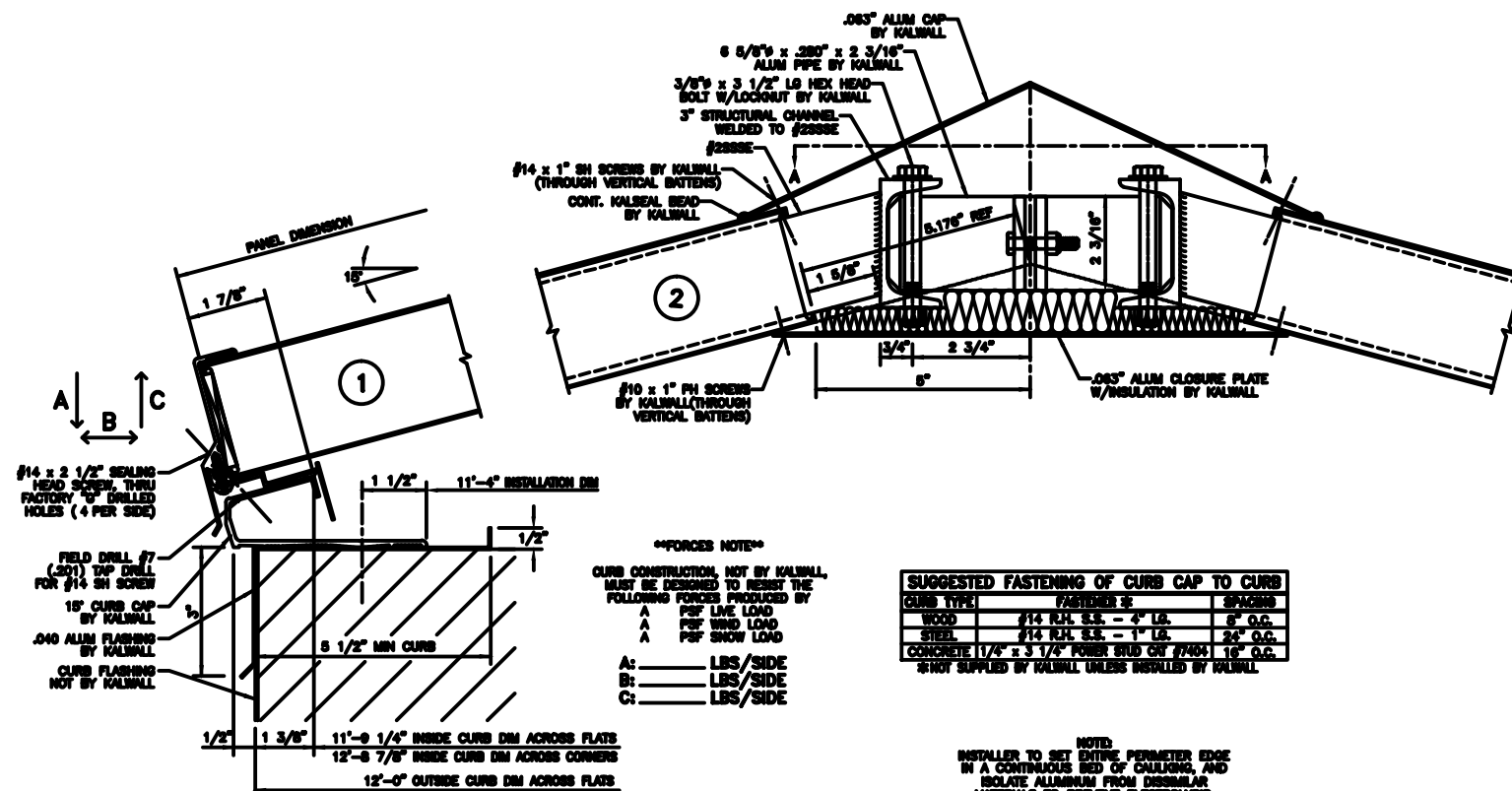
GEO ROOF PLAN
NOTE: SHIPPED IN 2 UNITS



AA COMPRESSION RING PLAN VIEW



INSTALLATION DIMENSIONS FOR CURB CAP LAYOUT OF HALF THE GEO ROOF



CURB TYPE	FASTENER #	SPACING
WOOD	#14 KAL S.S. - 4" LG.	8" O.C.
STEEL	#14 KAL S.S. - 1" LG.	24" O.C.
CONCRETE	1/4" x 3 1/4" POINT BUD OR #404	16" O.C.

*NOT SUPPLIED BY KALWALL UNLESS INSTALLED BY KALWALL

KALWALL[®]
high performance translucent building systems