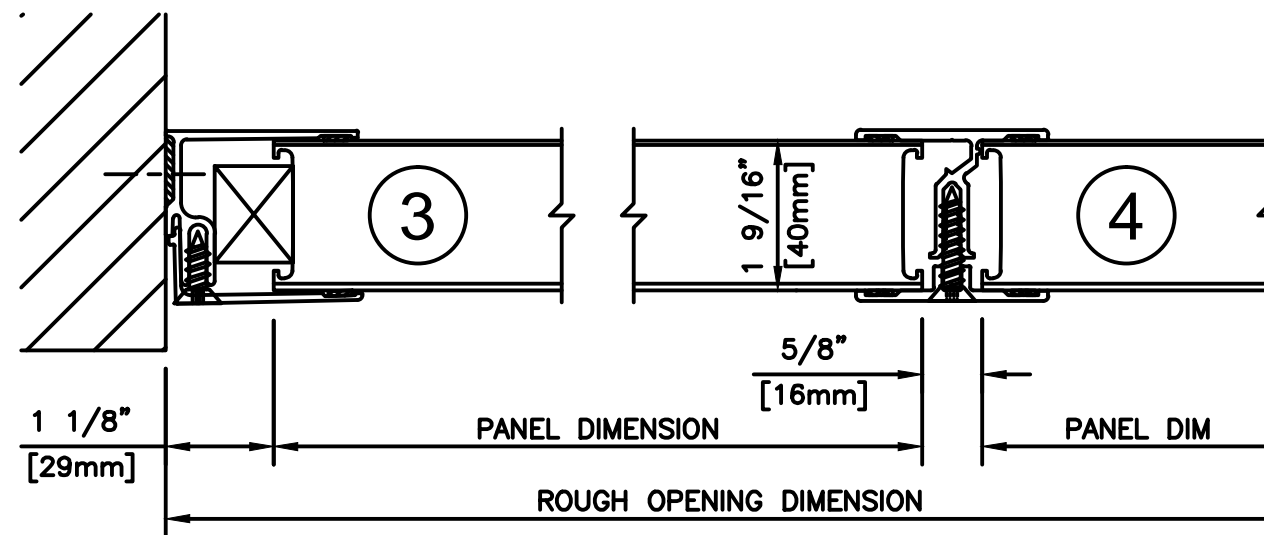
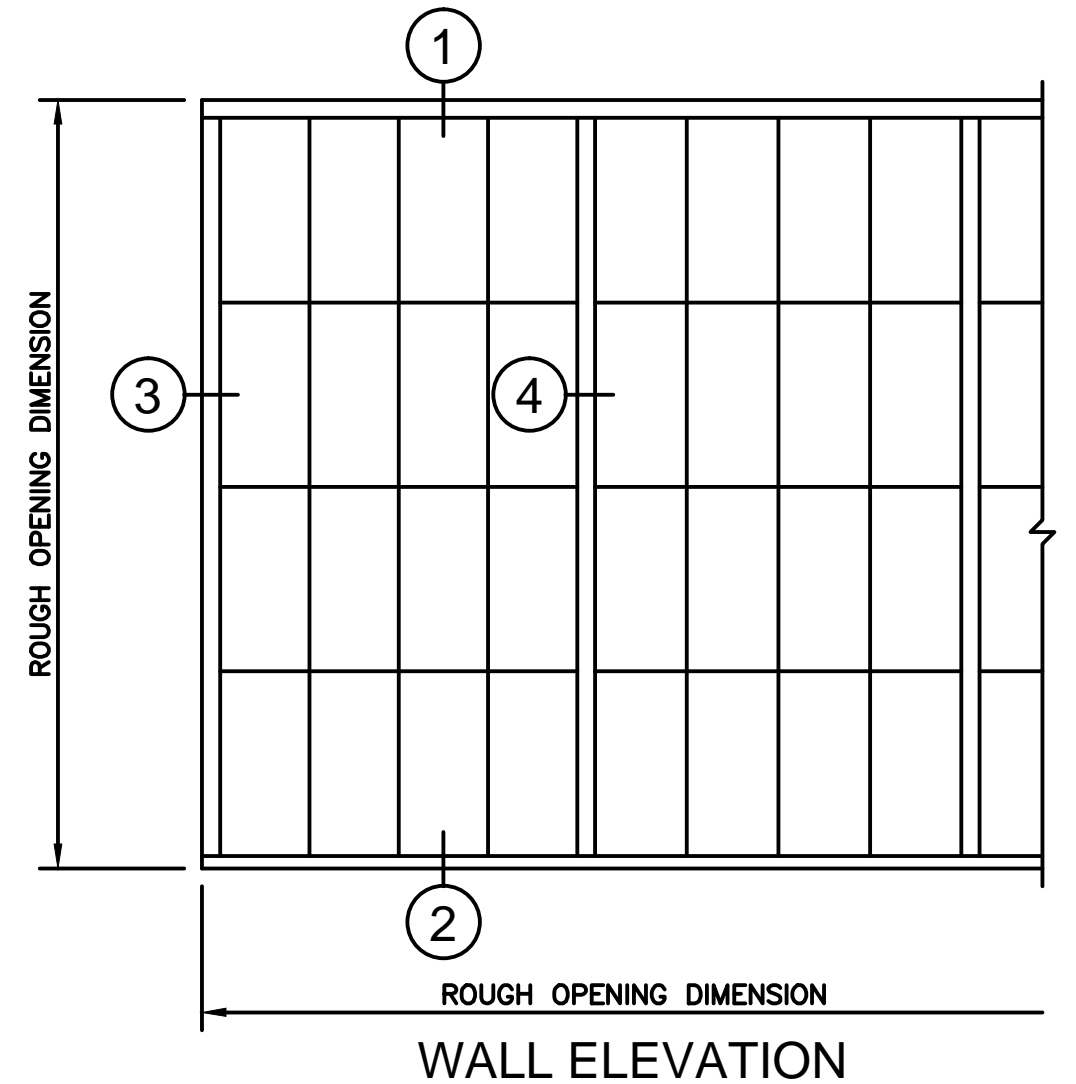
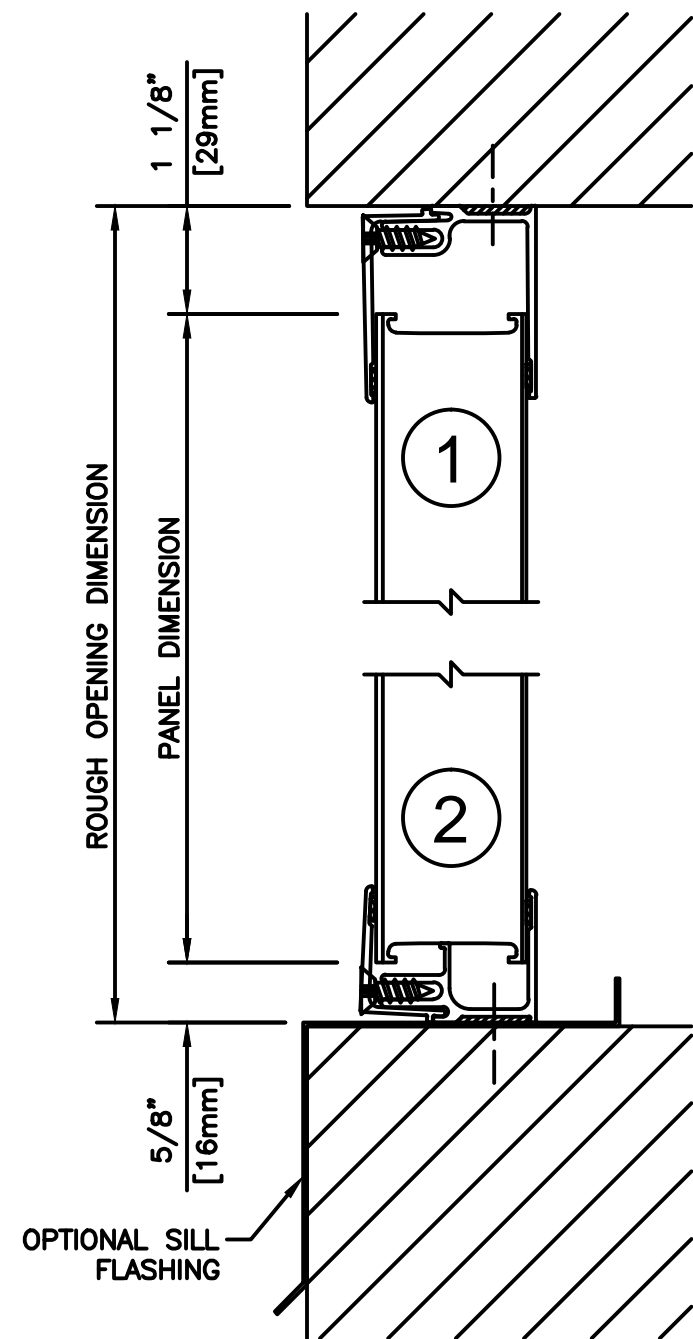


1 9/16" PANEL STANDARD SYSTEM



KALWALL[®]
high performance translucent building systems