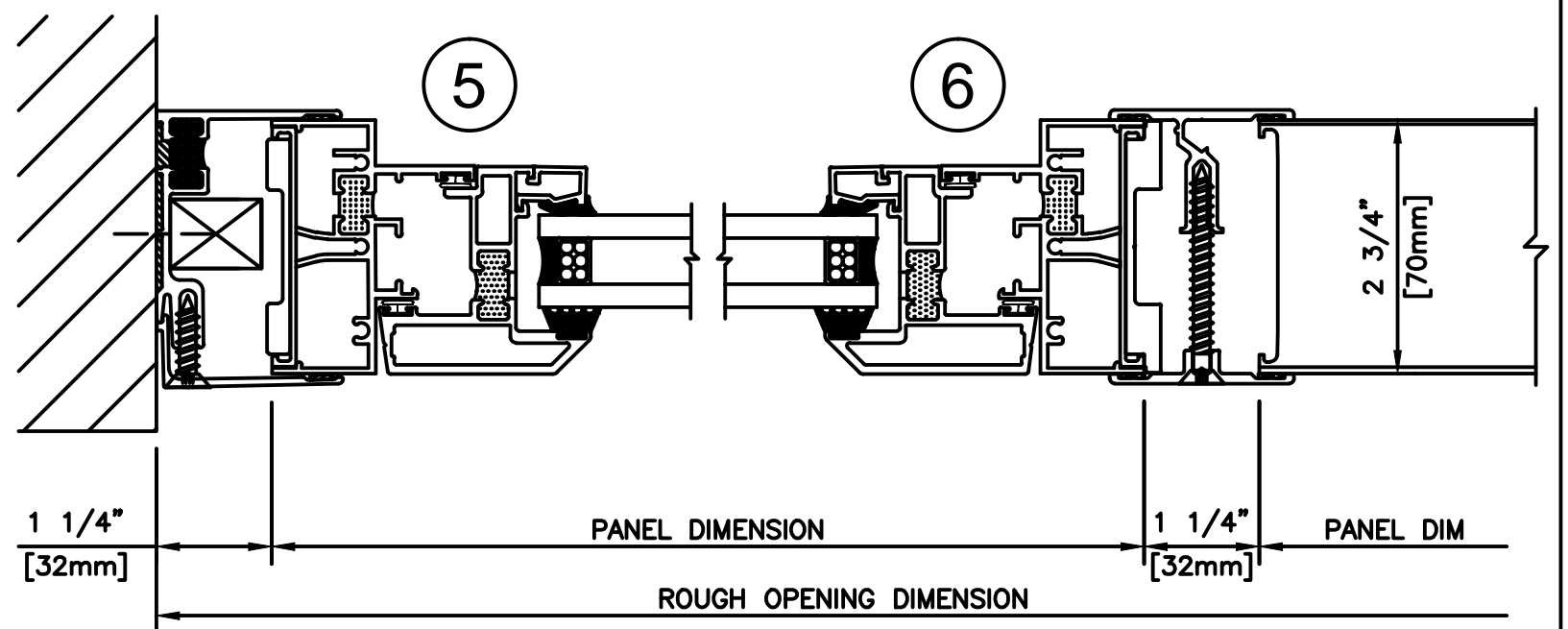
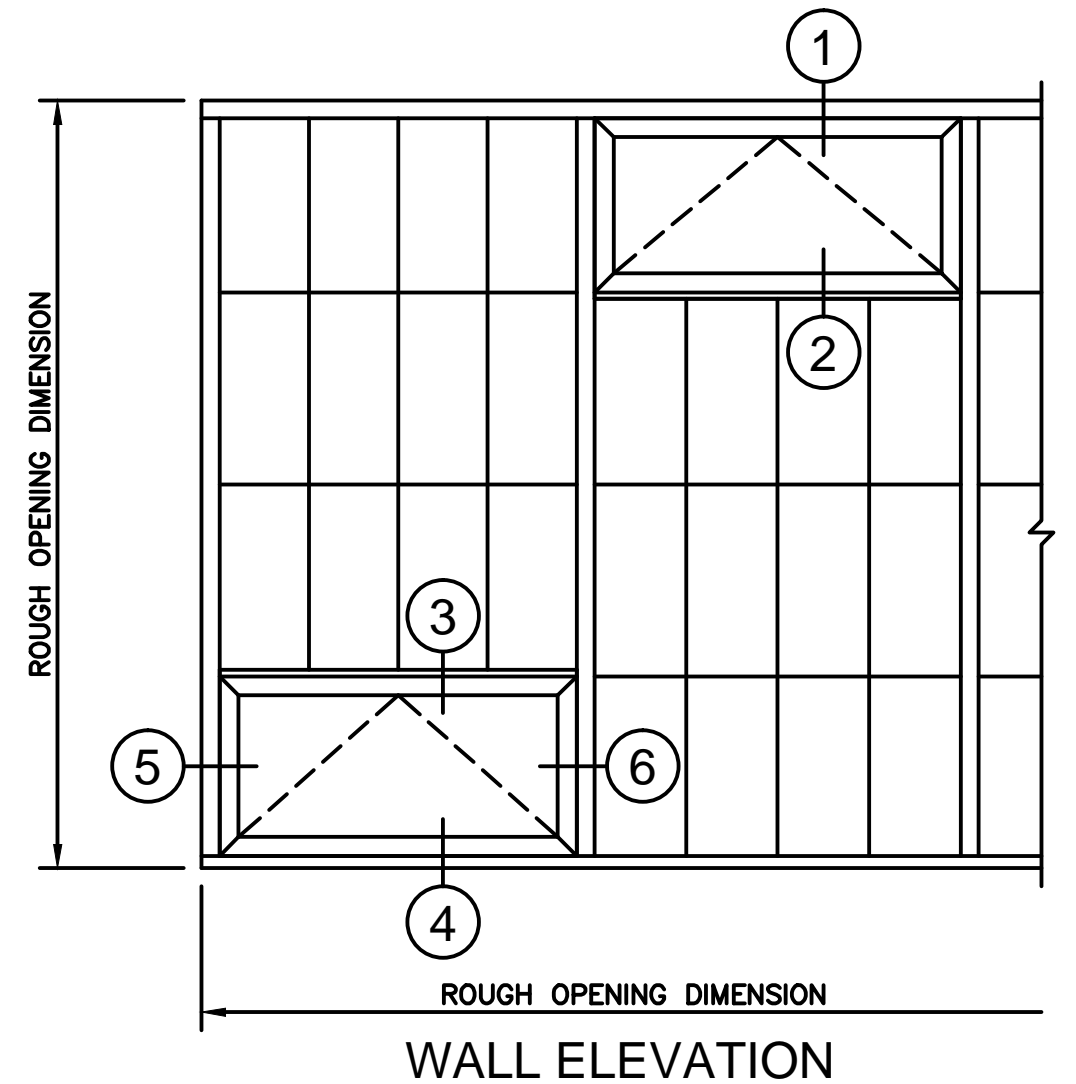
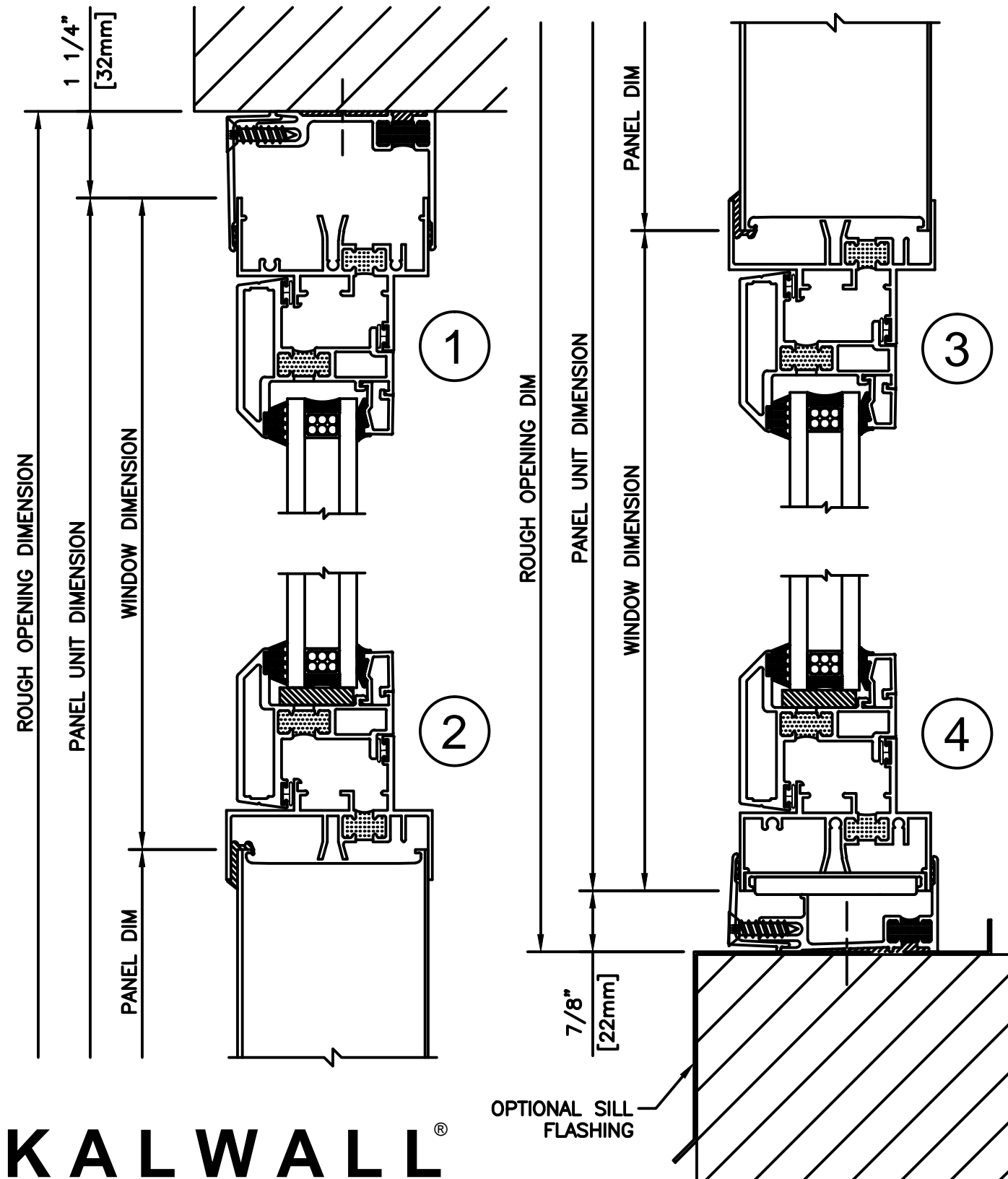


# KALWALL HC-2000 PROJECT-OUT THERMAL BREAK WINDOW



**KALWALL**®

high performance translucent building systems