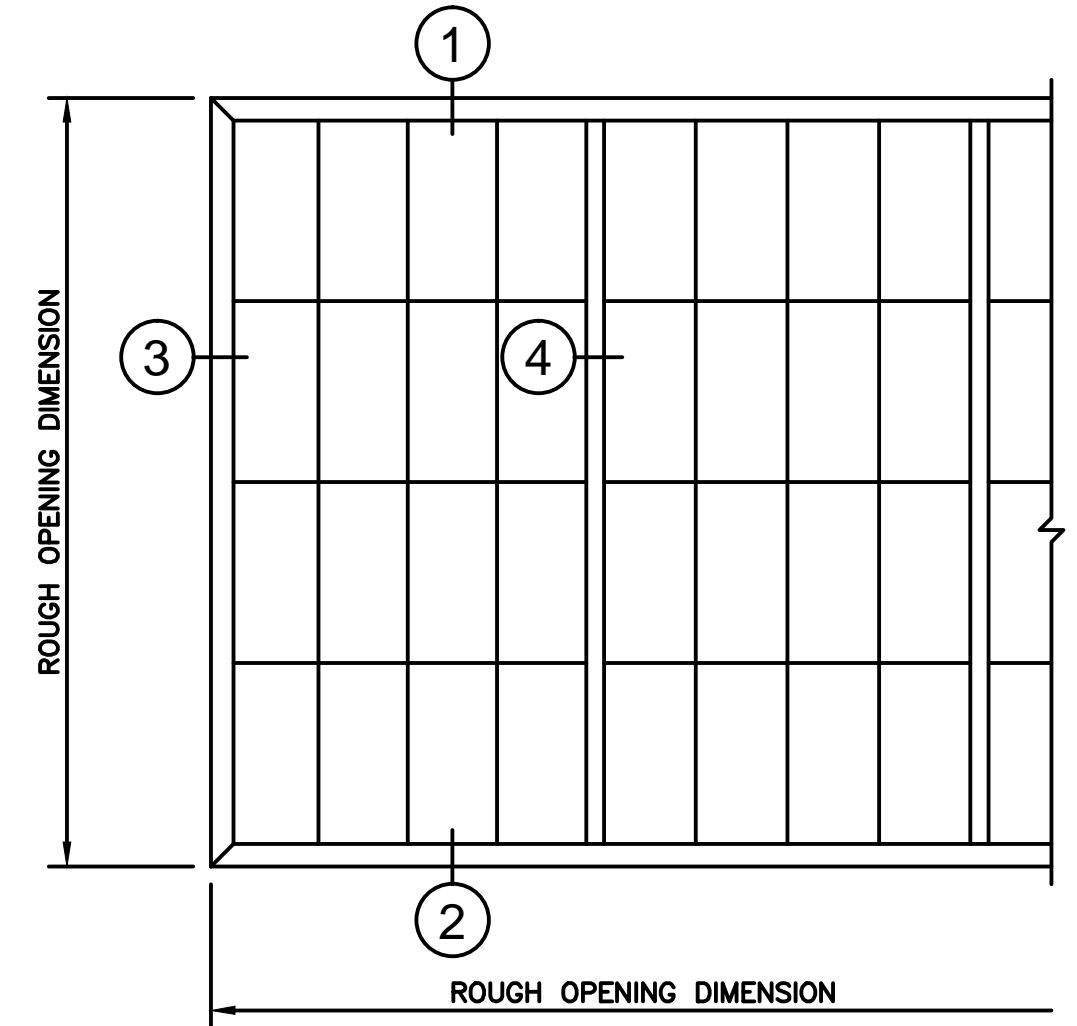
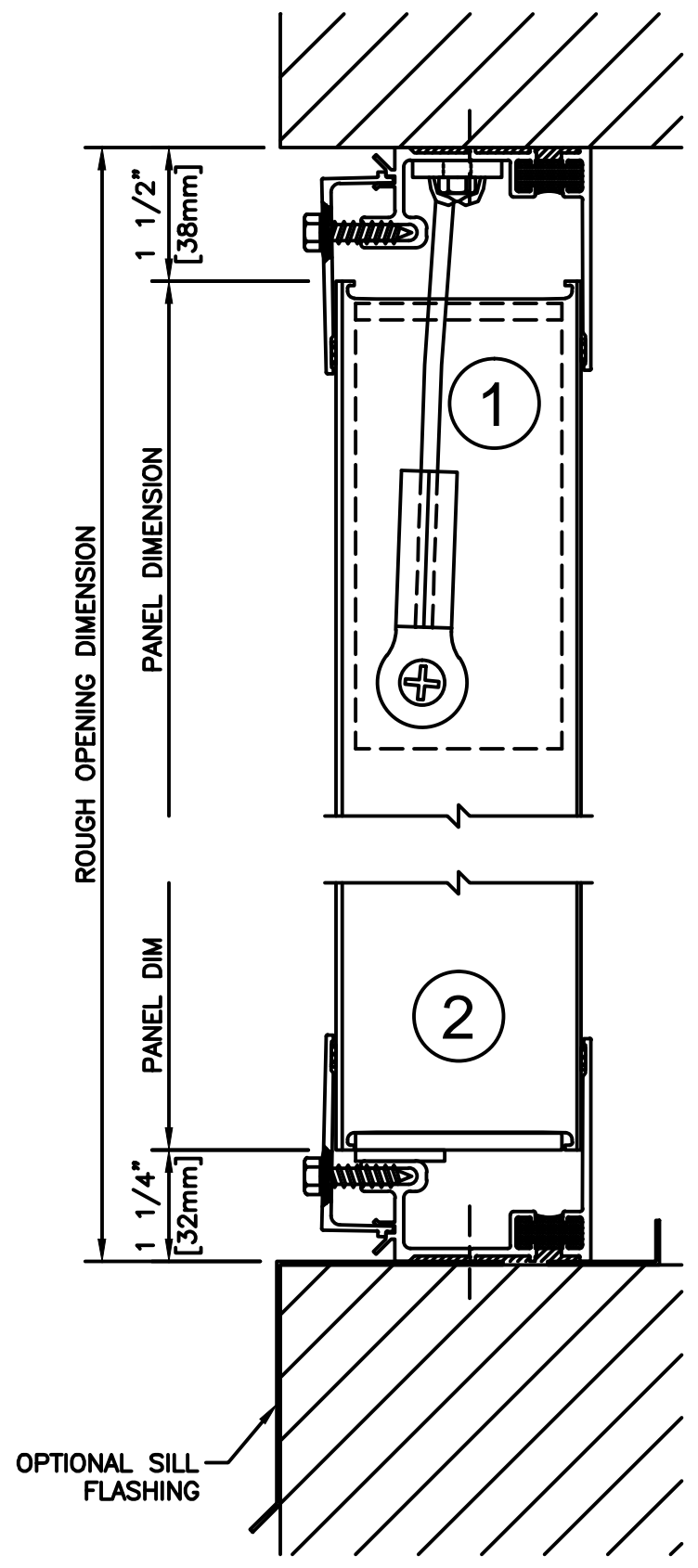


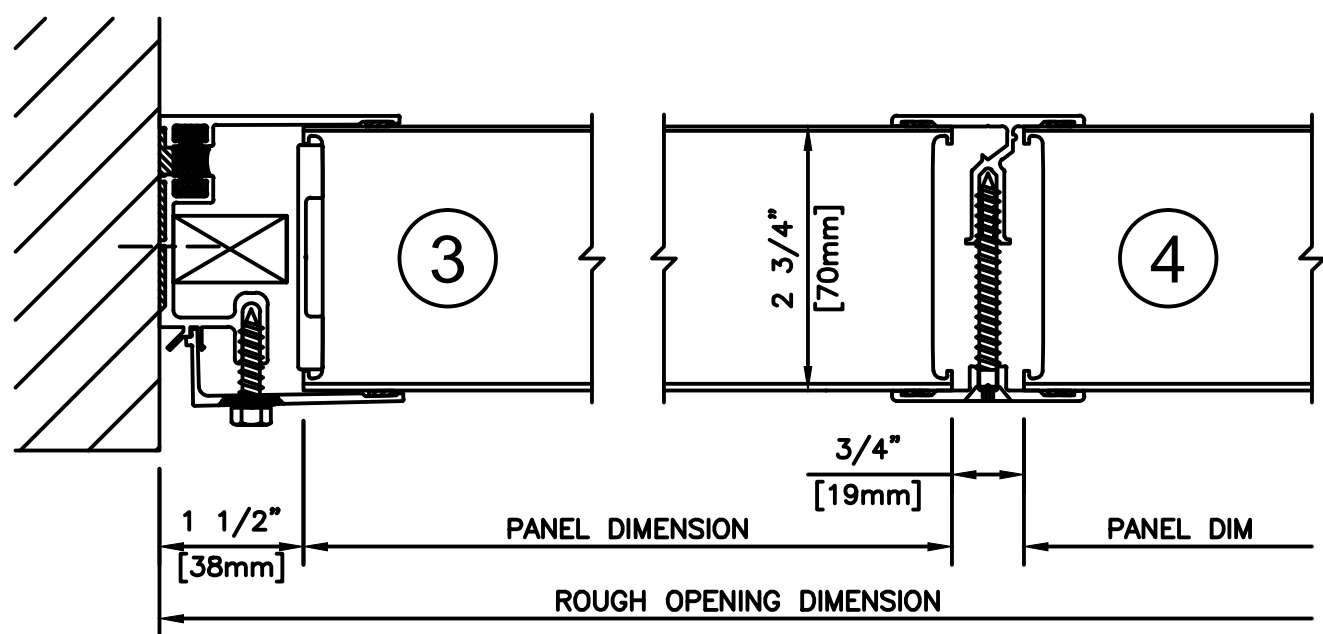
EXPLOSION VENTING THERMAL BREAK SYSTEM



ROUGH OPENING DIMENSION

ROUGH OPENING DIMENSION

WALL ELEVATION



NOTE:
MINIMUM EV RELEASE
PRESSURE MUST BE
DESIGN WIND LOAD
PLUS 10 PSF(480Pa)

NOTE:
MINIMUM PANEL AREA
24 Sq Ft(2.2 Sq Meters)

KALWALL[®]

high performance translucent building systems