



photo: Bruce Damonte

# KALWALL®

high performance translucent building systems

---

## SKYLIGHTS

---

Geo-Roofs®

---

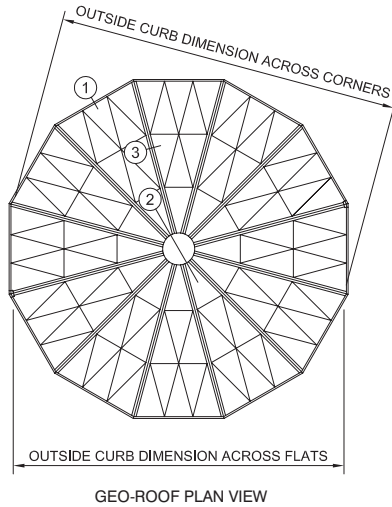
Pyramids

---

S-lines

---

# Geo-Roofs®



Preferred Credit, Inc. Headquarters | Saint Cloud, MN  
Miller Architects & Builders, Inc.

## Standard Skylights

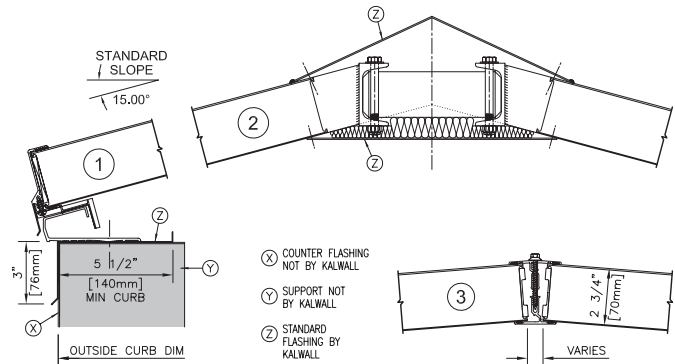
Geo-Roofs, Pyramids & S-line skylights are all available in many standard sizes to offer both value and selection. All three standard skylight configurations offer superior thermal performance while providing museum-quality daylighting™ to illuminate interiors while reducing energy consumption.

**Solar Heat Gain Coefficients (SHGC) from 0.65 to 0.04**

**U-factors range from 0.53 to 0.05 (3.01 to 0.28 W/m²K)**

**Visible Light Transmission (VLT) Values from 3% to 50%**

**Complimentary Daylight Modeling Simulation Studies**



**Standard Geo-Roofs:** sizes from 8' (2438 mm) to 24' (7315 mm) outside curb dimension (O.C.D.) across flats in 1' (305 mm) increments as shown above.

Standard Sizes O.C.D. Across Flats	Shipping Information	# of Sides	O.C.D. Across Corners	O.C.D. @ Each Side	Horizontal Thrust Each Curb Segment*
8'-0" (2438 mm)	factory welded	8	8'-7-15/16" (2640 mm)	3' - 3-3/4" (1010 mm)	350 lb (1557 N)
9'-0" (2743 mm)	shipped in 2 units	8	9'-8-7/8" (2969 mm)	3' - 8-3/4" (1137 mm)	440 lb (1958 N)
10'-0" (3048 mm)	shipped in 2 units	8	10'-9-7/8" (3299 mm)	4' - 1-11/16" (1262 mm)	545 lb (2425 N)
11'-0" (3353 mm)	shipped in 2 units	8	11'-10-7/8" (3629 mm)	4' - 6-11/16" (1389 mm)	660 lb (2936 N)
12'-0" (3658 mm)	shipped in 2 units	8	12'-11-7/8" (3959 mm)	4' - 11-5/8" (1515 mm)	780 lb (3470 N)
13'-0" (3962 mm)	shipped in 2 units	10	13'-8" (4166 mm)	4' - 2-11/16" (1287 mm)	720 lb (3203 N)
14'-0" (4267 mm)	shipped in 2 units	10	14'-8-5/8" (4486 mm)	4' - 6-9/16" (1386 mm)	835 lb (3714 N)
15'-0" (4572 mm)	shipped in 2 units	10	15'-9-1/4" (4807 mm)	4' - 10-1/2" (1486 mm)	960 lb (4270 N)
16'-0" (4877 mm)	shipped in 2 units	12	16'-6-3/4" (5048 mm)	4' - 3-7/16" (1307 mm)	900 lb (4003 N)
17'-0" (5182 mm)	shipped in 12 units	12	17'-7-3/16" (5364 mm)	4' - 6-11/16" (1389 mm)	1015 lb (4515 N)
18'-0" (5486 mm)	shipped in 12 units	12	18'-7-5/8" (5680 mm)	4' - 9-7/8" (1470 mm)	1140 lb (5071 N)
19'-0" (5791 mm)	shipped in 14 units	14	19'-5-7/8" (5940 mm)	4' - 4-1/16" (1322 mm)	1080 lb (4804 N)
(A) 20'-0" (6096 mm)	shipped in 14 units	14	20'-6-3/16" (6253 mm)	4' - 6-3/4" (1391 mm)	1055 lb (4693 N)
(B) 21'-0" (6401 mm)	shipped in 14 units	14	21'-6-1/2" (6566 mm)	4' - 9-1/2" (1461 mm)	1005 lb (4471 N)
(C) 22'-0" (6706 mm)	shipped in 14 units	14	22'-6-13/16" (6879 mm)	5' - 0-1/4" (1530 mm)	930 lb (4137 N)
(C) 23'-0" (7010 mm)	shipped in 16 units	16	23'-5-7/16" (7149 mm)	4' - 6-7/8" (1394 mm)	885 lb (3937 N)
(D) 24'-0" (7315 mm)	shipped in 16 units	16	24'-5-5/8" (7458 mm)	4' - 9-5/16" (1456 mm)	790 lb (3514 N)

Span designed for 25 PSF (1197 Pa) Wind Load and 40 PSF (1915 Pa) Snow Load, except as noted: (A) = 35 PSF (1676 Pa) Snow Load; (B) = 30 PSF (1436 Pa) Snow Load; (C) = 25 PSF (1197 Pa) Snow Load; (D) = 20 PSF (958 Pa) Snow Load. Kalwall+Lumira® aerogel and Kalwall100 are not available in Geo-Roof configurations.

\*Thrust loads on each side of curb must be provided for by others. Geo grid pattern standard. Standard Geo-Roofs have a 15° slope on all sides.

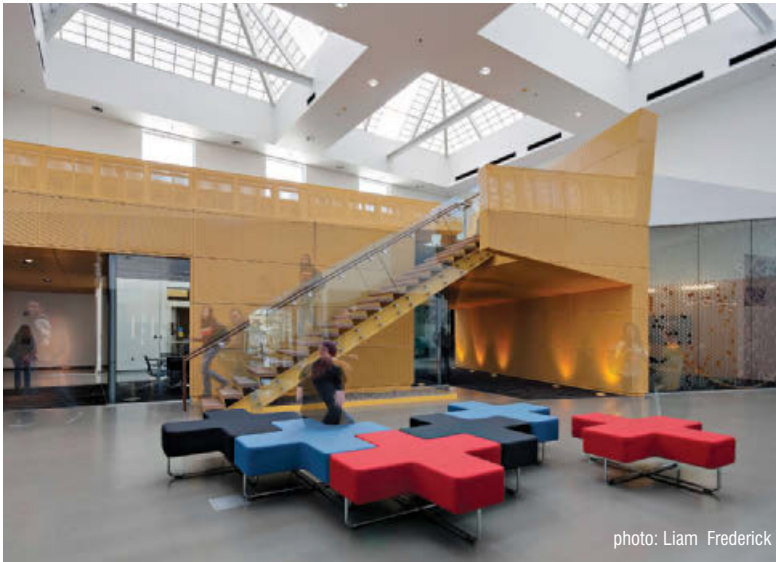
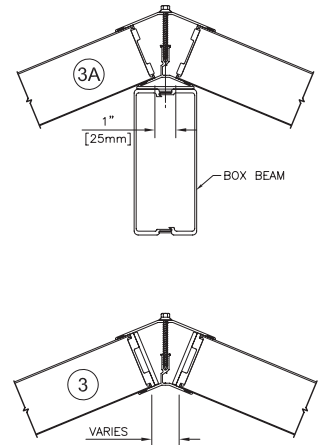
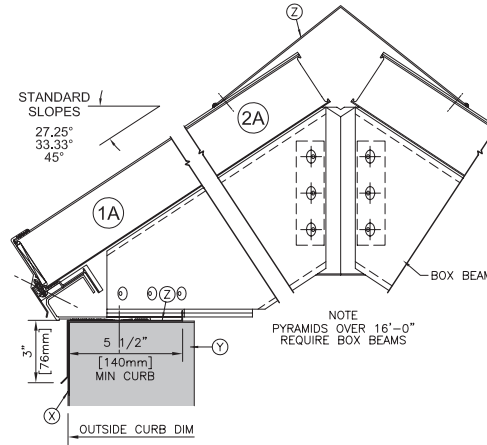
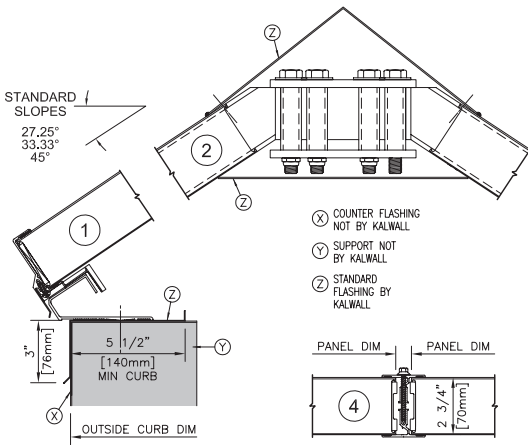
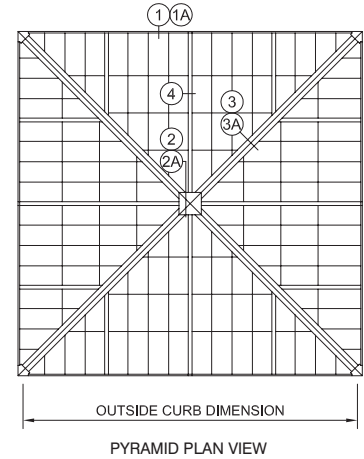


photo: Liam Frederick

Paradise Valley Community College | Phoenix, AZ

Smith Group JJR

# Pyramids



**Standard Pyramids:** sizes from 4' x 4' (1219 mm x 1219 mm) to 20' x 20' (6096 mm x 6096 mm) outside curb dimension (O.C.D.) in 1' (305 mm) increments

Standard Sizes O.C.D.	Factory Pre-Assembled	Field Assembly Required	Exposed Box Beams	# of Panels per Side	Maximum Horizontal Thrust Load per Side*
4'-0" (1219 mm)	Yes	No	No	1	100 lb (445 N)
5'-0" (1524 mm)	Yes	No	No	1	160 lb (712 N)
6'-0" (1829 mm)	Yes	No	No	1	225 lb (1001 N)
7'-0" (2134 mm)	Yes	No	No	1	310 lb (1379 N)
8'-0" (2438 mm)	Yes	No	No	1-2***	400 lb (1779 N)
9'-0" (2743 mm)	No	Yes	No	2	510 lb (2269 N)
10'-0" (3048mm)	No	Yes	No	2	625 lb (2780 N)
11'-0" (3353 mm)	No	Yes	No	2	760 lb (3381 N)
12'-0" (3658 mm)	No	Yes	No	2	900 lb (4003 N)
13'-0" (3962 mm)	No	Yes	No	2-4***	1060 lb (4715 N)
14'-0" (4267 mm)	No	Yes	No	4	1225 lb (5449 N)
15'-0" (4572 mm)	No	Yes	**	4	1410 lb (6272 N)
16'-0" (4877 mm)	No	Yes	**	4	1600 lb (7117 N)
17'-0" (5182 mm)	No	Yes	Yes	4	1810 lb (8051 N)
18'-0" (5486 mm)	No	Yes	Yes	4	2025 lb (9008 N)
19'-0" (5791 mm)	No	Yes	Yes	4	2260 lb (10053 N)
20'-0" (6096 mm)	No	Yes	Yes	4	2500 lb (11121 N)

Span designed for 25 PSF (1197 Pa) Wind Load and 40 PSF (1915 Pa) Snow Load.

\*Thrust Loads on each side of curb must be provided for by others. Shoji grid pattern standard: 12" x 24" (300 mm x 600 mm). Standard Pyramids available in 27°, 33° & 45° slopes.

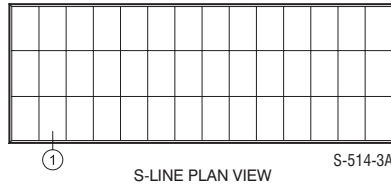
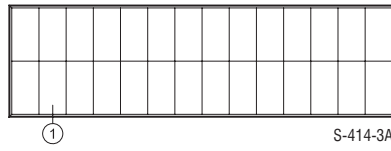
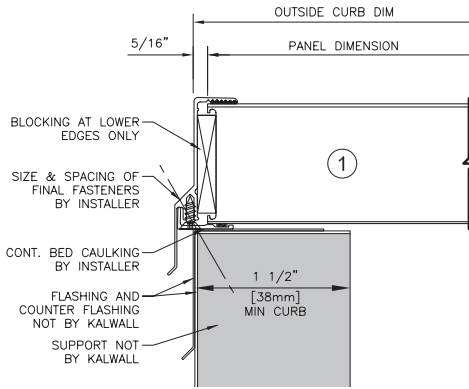
\*\*May require box beam framing. Required for 15' (4572 mm) > 35 PSF (1676 Pa) Snow Load and 16' (4877 mm) > 25 PSF (1197 Pa) Snow Load

\*\*\*1 @ 27°, 33° | 2 @ 45° & 2 @ 27°, 33° | 4 @ 45°

Please visit [KALWALL.COM](http://KALWALL.COM) for all standard skylight specifications, CAD details, BIM families & performance charts online



# S-lines



## S-line Skylight Features

- Shatterproof FRP face sheets
- Super-fast delivery options available
- OSHA compliant - man safe design
- Factory-sealed aluminum perimeter curb
- Can withstand Class A burning brand



Camp Withycombe | Clackamas, OR

BBL Architects

S-lines: 4' (1220 mm) wide flat-curb type unit skylights				S-lines: 5' (1524 mm) wide flat-curb type unit skylights			
Product #	Standard Unit Sizes 4' (1220 mm) O.C.D.			Product #	Standard Unit Sizes 5' (1524 mm) O.C.D.		
S-44-3A	4'-0" (1220 mm)	X	4'-0" (1220 mm)	S-55-3A	5'-0" (1524 mm)	X	5'-0" (1524 mm)
S-45-3A	4'-0" (1220 mm)	X	5'-0" (1524 mm)	S-56-3A	5'-0" (1524 mm)	X	6'-0" (1829 mm)
S-46-3A	4'-0" (1220 mm)	X	6'-0" (1829 mm)	S-57-3A	5'-0" (1524 mm)	X	7'-0" (2134 mm)
S-47-3A	4'-0" (1220 mm)	X	7'-0" (2134 mm)	S-58-3A	5'-0" (1524 mm)	X	8'-0" (2438 mm)
S-48-3A	4'-0" (1220 mm)	X	8'-0" (2438 mm)	S-59-3A	5'-0" (1524 mm)	X	9'-0" (2743 mm)
S-49-3A	4'-0" (1220 mm)	X	9'-0" (2743 mm)	S-510-3A	5'-0" (1524 mm)	X	10'-0" (3048 mm)
S-410-3A	4'-0" (1220 mm)	X	10'-0" (3048 mm)	S-511-3A	5'-0" (1524 mm)	X	11'-0" (3353 mm)
S-411-3A	4'-0" (1220 mm)	X	11'-0" (3353 mm)	S-512-3A	5'-0" (1524 mm)	X	12'-0" (3658 mm)
S-412-3A	4'-0" (1220 mm)	X	12'-0" (3658 mm)	S-513-3A	5'-0" (1524 mm)	X	13'-0" (3962 mm)
S-413-3A	4'-0" (1220 mm)	X	13'-0" (3962 mm)	S-514-3A	5'-0" (1524 mm)	X	14'-0" (4267 mm)
S-414-3A	4'-0" (1220 mm)	X	14'-0" (4267 mm)	S-515-3A	5'-0" (1524 mm)	X	15'-0" (4572 mm)
S-415-3A	4'-0" (1220 mm)	X	15'-0" (4572 mm)	S-516-3A	5'-0" (1524 mm)	X	16'-0" (4877 mm)
S-416-3A	4'-0" (1220 mm)	X	16'-0" (4877 mm)	S-517-3A	5'-0" (1524 mm)	X	17'-0" (5182 mm)
S-417-3A	4'-0" (1220 mm)	X	17'-0" (5182 mm)	S-518-3A	5'-0" (1524 mm)	X	18'-0" (5486 mm)
S-418-3A	4'-0" (1220 mm)	X	18'-0" (5486 mm)	S-519-3A	5'-0" (1524 mm)	X	19'-0" (5791 mm)
S-419-3A	4'-0" (1220 mm)	X	19'-0" (5791 mm)	S-520-3A	5'-0" (1524 mm)	X	20'-0" (6096 mm)
S-420-3A	4'-0" (1220 mm)	X	20'-0" (6096 mm)				

Note: All S-line skylights are available with 2-3/4" (70 mm) and 4" (100 mm) thick panels.

Designed for 40 PSF (1915 Pa) Snow Load. Shoji grid pattern standard: 12" x 24" (300 mm x 600 mm) - 4' (1220 mm) series | 12" x 20" (300 mm x 500 mm) - 5' (1524 mm) series. A minimum slope of 3/8":12" is required for all S-line skylights. Kalwall+Lumira aerogel is available in 2-3/4" (70 mm) thick panels only.

**Not sure which standard skylight is best for you? Trying to determine the proper Visible Light Transmission (VLT) levels?**

**Visit [KALWALL.COM](http://KALWALL.COM) or call 800 258 9777 to request a complimentary Daylight Modeling analysis to optimize your design.**



Kalwall Corporation is continually engaged in research to improve our products. Therefore, the material in this brochure is descriptive in nature and does not constitute a warranty, either express or implied. Please contact us for a copy of the warranty that is given with the sale of our products.

Kalwall and Geo-Roof are registered trademarks and Museum-quality Daylighting is a trademark of the Kalwall Corporation. Lumira is a registered trademark of Cabot Corporation.