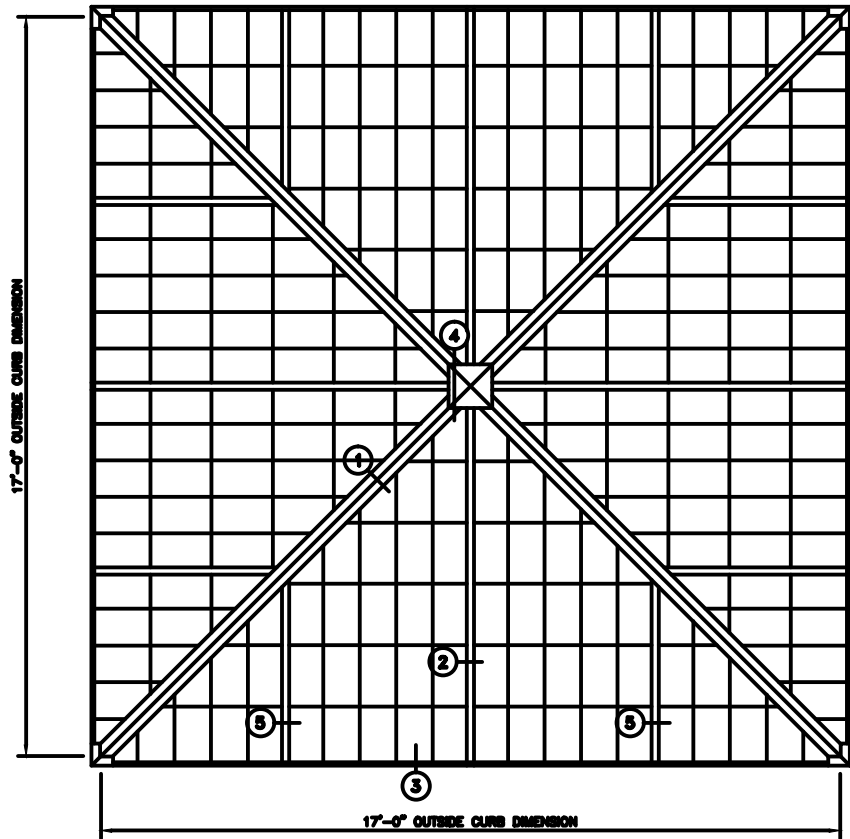
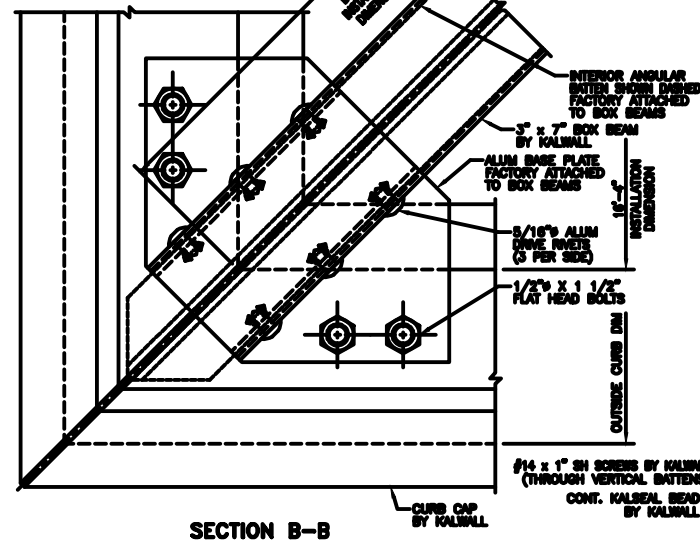


45° - 17'-0" PYRAMID

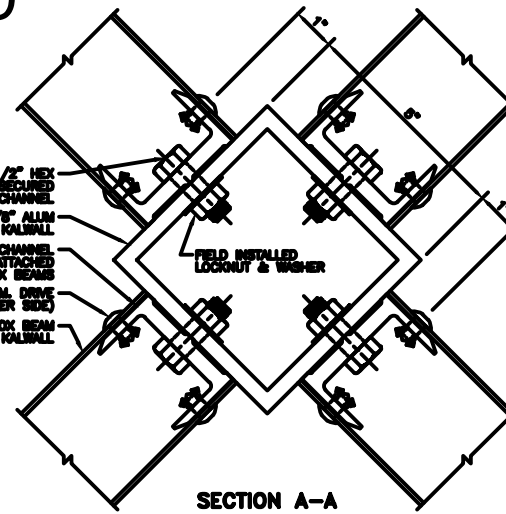


PYRAMID PLAN
NOTE: SHIPPED IN 8 UNITS

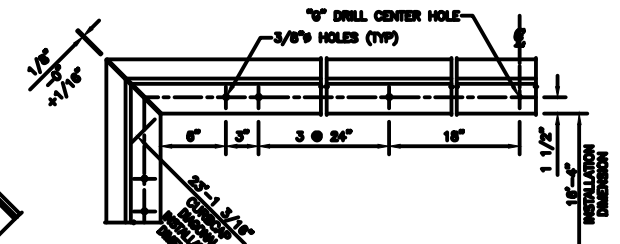
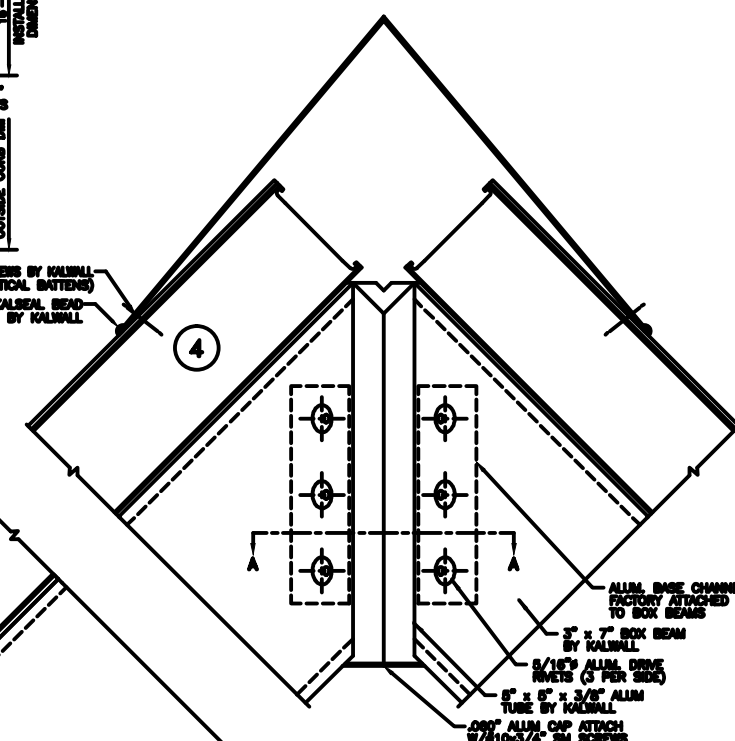
45° SLOPE
45° SLOPE



1/2" x 1 1/2" HEX HEAD BOLTS SECURED TO BRCE CHANNEL
5" x 5" x 3/8" ALUM TUBE BY KALWALL
ALUM. BASE CHANNEL FACTORY ATTACHED TO BOX BEAMS
5/16" ALUM. DRIVE RIVETS (3 PER SIDE)
3" x 7" BOX BEAM BY KALWALL



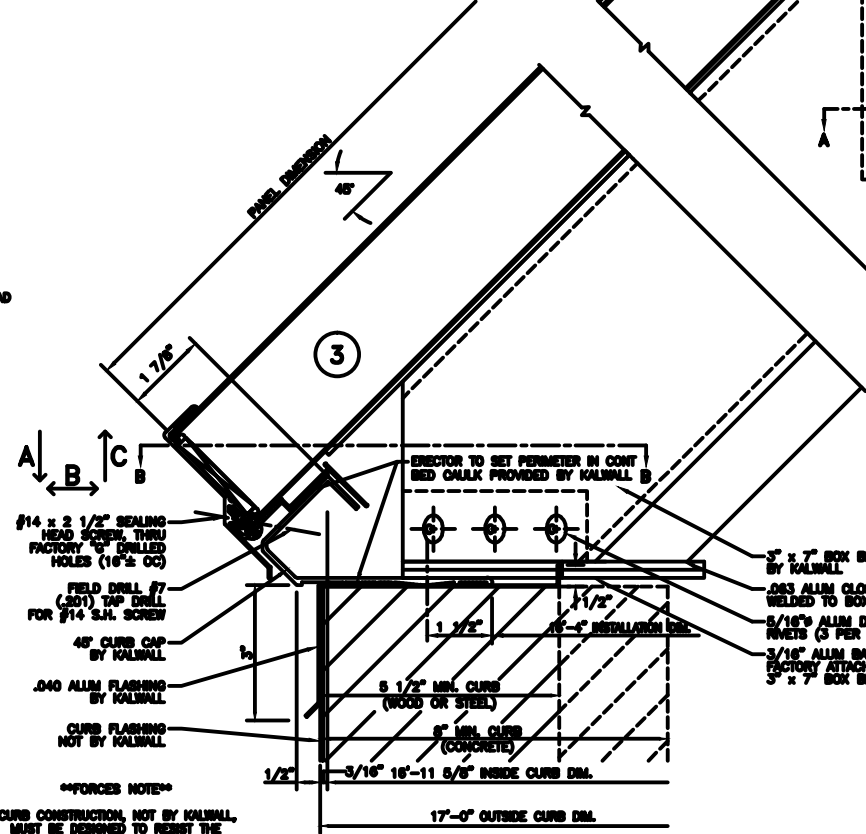
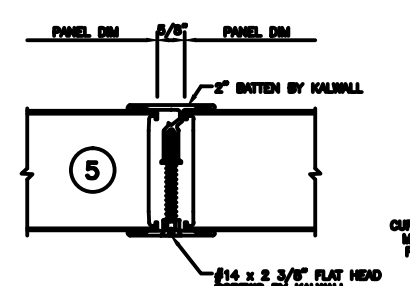
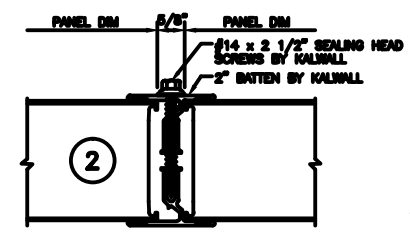
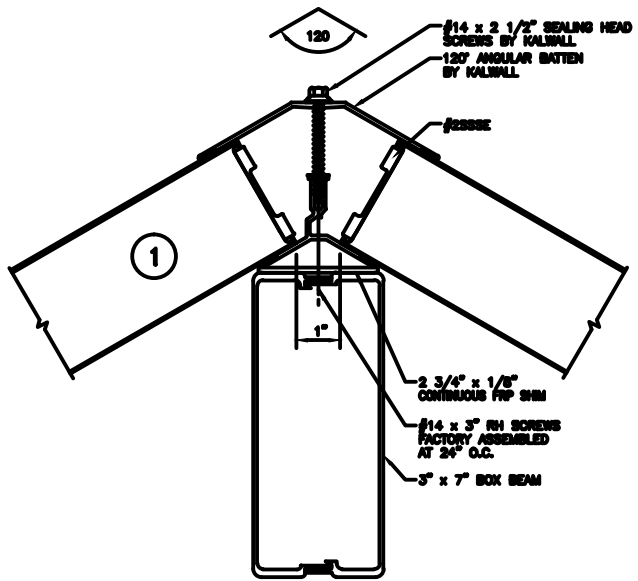
SECTION A-A



CURB CAP PLAN

SUGGESTED FASTENING OF CURB CAP TO CURB		
CURB TYPE	FASTENER &	SPACING
WOOD	#14 R.H. S.S. - 4" L.G.	24" O.C.
STEEL	#14 R.H. S.S. - 1" L.G.	24" O.C.
CONCRETE	1/4" x 3 1/4" POWER STUD ON #4001	24" O.C.

NOT SUPPLIED BY KALWALL UNLESS INSTALLED BY KALWALL
ALL FASTENERS TO BE IN HOLE 1/8" LARGER THAN FASTENER DIA.
HOLE AT CENTER OF CURB TO BE SAME DIA. AS FASTENER



****FORCES NOTE****
CURB CONSTRUCTION, NOT BY KALWALL, MUST BE DESIGNED TO RESIST THE FOLLOWING FORCES PRODUCED BY
A: PEF LIVE LOAD
A: PEF SNOW LOAD
A: PEF DRIFT LOAD
A: _____ LBS/SIDE
B: _____ LBS/SIDE
C: _____ LBS/SIDE

KALWALL[®]
high performance translucent building systems