

High Performance – RAPID DELIVERY
STANDARD SKYLIGHTS

GEO-ROOF[®]

Segmented domes to 24' (7.3m)

PYRAMID

4'x4' to 20'x20' (1.2m x 1.2m to 6m x 6m)

FLAT CURB-TYPE

4'x4' to 5'x20' (1.2m x 1.2m to 1.5m x 6m)

Now Available
with super-insulating aerogel!

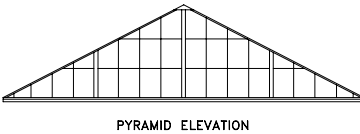
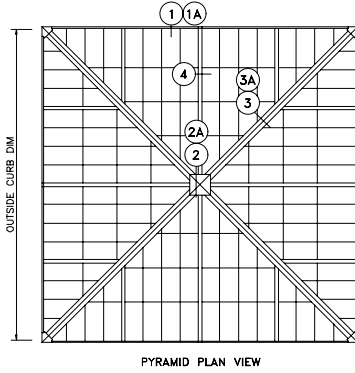


Standard Size

Pyramid Details and Engineering Data

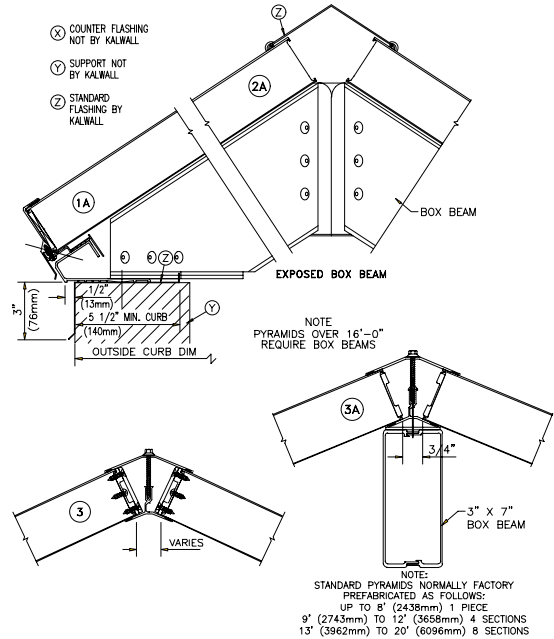
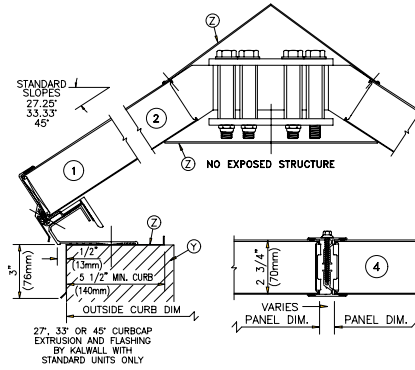
Design

Factory pre-engineered components for standard sizes from 4' to 20' in one-foot increments... rapidly installed. All energy-efficient as well as aesthetic options are available.



Construction

Designed for installation over the Kalwall-supplied curb cap extrusion. The pre-engineered panels, joint system and, in larger size, exposed box beams fit together precisely to form a highly dependable, weathertight structure.



Slopes at hip nominal 20°, 25°, 35°
Slopes at face nominal 27°, 33°, 45°

All Standard Pyramids Designed for Installation from the Outside.

These and other details are available for downloading at www.kalwall.com



Standard Sizes: O.C.D.		Number Panels Per Side	Maximum Horizontal Thrust Load on Curb*
4' (1219mm)	Factory Pre-Assembled	1	100 lbs. (445N)
5' (1524mm)		1	160 lbs. (712N)
6' (1829mm)		1	225 lbs. (1001N)
7' (2134mm)		1	310 lbs. (1379N)
8' (2438mm)		1	400 lbs. (1779N)
9' (2743mm)	No Exposed Structure	2	510 lbs. (2269N)
10' (3048mm)		2	625 lbs. (2780N)
11' (3353mm)		2	760 lbs. (3381N)
12' (3658mm)		2	900 lbs. (4003N)
13' (3962mm)	No Exposed Structure	4	1060 lbs. (4715N)
14' (4267mm)		4	1225 lbs. (5449N)
15** (4572mm)		4	1410 lbs. (6272N)
16** (4877mm)		4	1600 lbs. (7117N)
17' (5182mm)	Exposed Box Beams	4	1810 lbs. (8051N)
18' (5486mm)		4	2025 lbs. (9008N)
19' (5791mm)		4	2260 lbs. (10053N)
20' (6096mm)		4	2500 lbs. (11121N)

*Calculated at 25 (1197Pa) PSF Wind Load. Thrust loads on each side of curb must be provided for by others.

**May require box beam framing. Required for 15' > 35 (1676Pa) PSF Live Load and 16' > 25 (1197Pa) PSF Live Load.

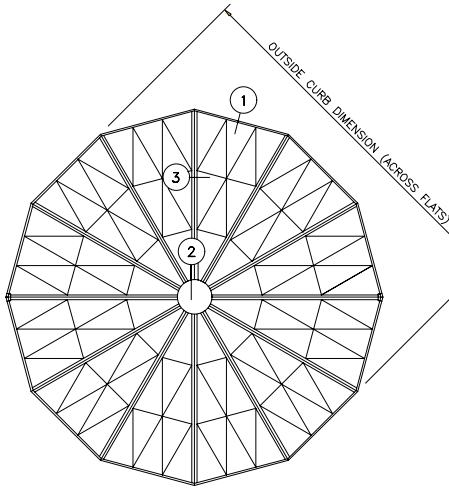


Standard Size

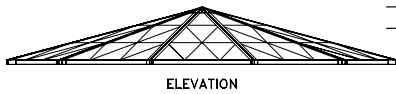
Geo-Roof® Details and Engineering Data

Design

Prefab elements in sizes from 8' to 24' provide a new concept to highlight any overall design... easily engineered into any construction. Optional colored inserts are available for added interest. Optional colored finishes are also available on exposed aluminum.



GEO ROOF PLAN VIEW

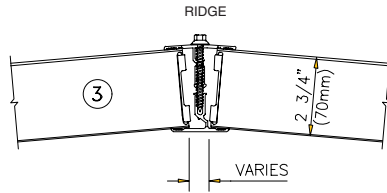


ELEVATION



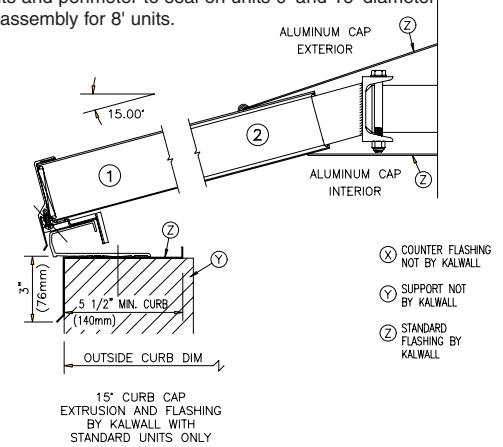
Construction

Clear design for thrust-bearing curb mounting and watertight seal. Light weight simplifies installation. Factory-assembled elements easily installed on site; only two joints and perimeter to seal on units 9' and 16' diameter — complete factory assembly for 8' units.



CURB INSTALLED TO WITHSTAND THRUST LOAD REQUIREMENT BY OTHERS.

U.S. Pat. Nos. 2,931,468 & 2,981,382 and Pats. Pend.



- ⓧ COUNTER FLASHING NOT BY KALWALL
- Ⓨ SUPPORT NOT BY KALWALL
- Ⓩ STANDARD FLASHING BY KALWALL

15' CURB CAP EXTRUSION AND FLASHING BY KALWALL WITH STANDARD UNITS ONLY

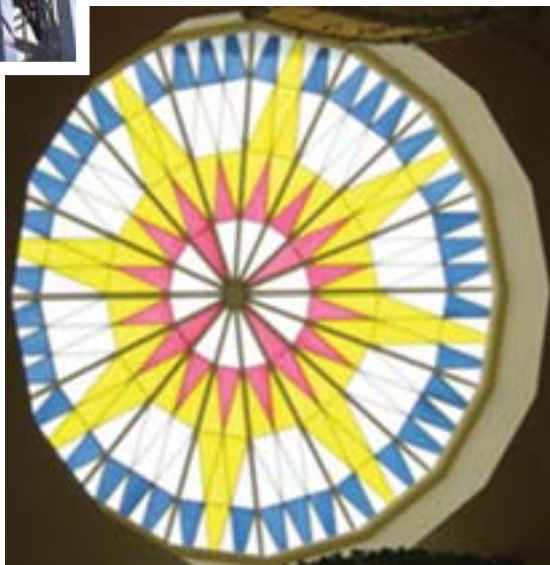
Most Geo-Roofs Require Both Inside and Outside Access for Installation.

Nominal O.C.D. Across Flats		Number of Sides	O.C.D. Across Corners	O.C.D. @ Each Side	Horizontal Thrust Each Curb Segment*
8' 0" (2438mm)	Factory Welded	8	8' - 7-15/16" (2640mm)	3' - 3-3/4" (1010mm)	350 lb. (1557N)
9' 0" (2743mm)		8	9' - 8-7/8" (2969mm)	3' - 8-3/4" (1137mm)	440 lb. (1958N)
10' 0" (3048mm)		8	10' - 9-7/8" (3299mm)	4' - 1-11/16" (1262mm)	545 lb. (2425N)
11' 0" (3353mm)		8	11' - 10-7/8" (3629mm)	4' - 6-11/16" (1389mm)	660 lb. (2936N)
12' 0" (3658mm)	Shipped in Two Units	8	12' - 11-7/8" (3959mm)	4' - 11-5/8" (1515mm)	780 lb. (3470N)
13' 0" (3962mm)		10	13' - 8" (4166mm)	4' - 2-11/16" (1287mm)	720 lb. (3203N)
14' 0" (4267mm)		10	14' - 8-5/8" (4486mm)	4' - 6-9/16" (1386mm)	835 lb. (3714N)
15' 0" (4572mm)		10	15' - 9-1/4" (4807mm)	4' - 10-1/2" (1486mm)	960 lb. (4270N)
16' 0" (4877mm)		12	16' - 6-3/4" (5048mm)	4' - 3-7/16" (1307mm)	900 lb. (4003N)
17' 0" (5182mm)		12	17' - 7-3/16" (5364mm)	4' - 6-11/16" (1389mm)	1015 lb. (4515N)
18' 0" (5486mm)		12	18' - 7-5/8" (5680mm)	4' - 9-7/8" (1470mm)	1140 lb. (5071N)
19' 0" (5791mm)		14	19' - 5-7/8" (5940mm)	4' - 4-1/16" (1322mm)	1080 lb. (4804N)
(A) 20' 0" (6096mm)	Shipped in Individual Units	14	20' - 6-3/16" (6253mm)	4' - 6-3/4" (1391mm)	1195 lb. (5316N)
(B) 21' 0" (6401mm)		14	21' - 6-1/2" (6566mm)	4' - 9-1/2" (1461mm)	1320 lb. (5872N)
(C) 22' 0" (6706mm)		14	22' - 6-13/16" (6879mm)	5' - 0-1/4" (1530mm)	1445 lb. (6428N)
(C) 23' 0" (7010mm)		16	23' - 5-7/16" (7149mm)	4' - 6-7/8" (1394mm)	1380 lb. (6139N)
(D) 24' 0" (7315mm)		16	24' - 5-5/8" (7458mm)	4' - 9-5/16" (1456mm)	1325 lb. (5894N)

Designed for 25 PSF (1197 Pa) Wind Load and 40 PSF (1915 Pa) Live Load, except as noted: (A) = 35 PSF (1676 Pa) Live Load, (B) = 30 PSF (1436 Pa) Live Load, (C) = 25 PSF (1197 Pa) Live Load, (D) = 20 PSF (958 Pa) Live Load.

*Thrust loads on each side of curb must be provided for by others.

Custom Size and Units up to 100' also available!

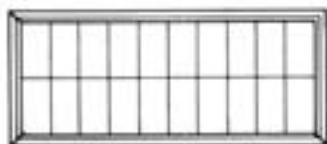


Standard Size

Flat Curb-Type, Standard S-Line Skylights



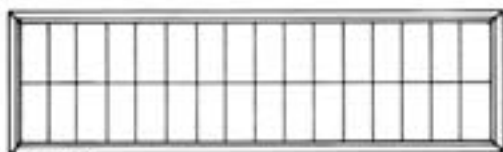
S-48-3A



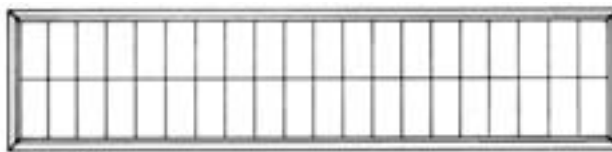
S-410-3A



S-412-3A



S-416-3A

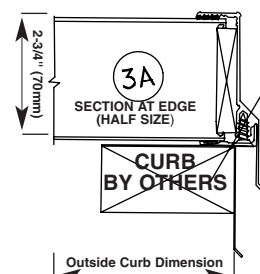


S-420-3A 4' (1220mm) x 20' (6096mm)

STANDARD SIZES: 4 ft. (1220mm) OUTSIDE CURB DIMENSION	STANDARD SIZES: 5 ft. (1524mm) OUTSIDE CURB DIMENSION
4' (1220mm) X 4' (1220mm)	—
4' (1220mm) X 5' (1524mm)	5' (1524mm) X 5' (1524mm)
4' (1220mm) X 6' (1829mm)	5' (1524mm) X 6' (1829mm)
4' (1220mm) X 7' (2134mm)	5' (1524mm) X 7' (2134mm)
4' (1220mm) X 8' (2438mm)	5' (1524mm) X 8' (2438mm)
4' (1220mm) X 9' (2743mm)	5' (1524mm) X 9' (2743mm)
4' (1220mm) X 10' (3048mm)	5' (1524mm) X 10' (3048mm)
4' (1220mm) X 11' (3353mm)	5' (1524mm) X 11' (3353mm)
4' (1220mm) X 12' (3658mm)	5' (1524mm) X 12' (3658mm)
4' (1220mm) X 13' (3962mm)	5' (1524mm) X 13' (3962mm)
4' (1220mm) X 14' (4267mm)	5' (1524mm) X 14' (4267mm)
4' (1220mm) X 15' (4572mm)	5' (1524mm) X 15' (4572mm)
4' (1220mm) X 16' (4877mm)	5' (1524mm) X 16' (4877mm)
4' (1220mm) X 17' (5182mm)	5' (1524mm) X 17' (5182mm)
4' (1220mm) X 18' (5486mm)	5' (1524mm) X 18' (5486mm)
4' (1220mm) X 19' (5791mm)	5' (1524mm) X 19' (5791mm)
4' (1220mm) X 20' (6096mm)	5' (1524mm) X 20' (6096mm)

Standard Series Features

- Thickness 2 3/4" (70 mm)
- Grid pattern size 12" x 24" for 4' Series; 12" x 20" for 5' Series
- Insulation "U" = .29* (1.6 W/m²K) standard and .23* (1.3 W/m²K) optional with Thermal Break core
- Curb-type aluminum perimeter pre-sealed at factory installation on curb
- Translucent shatterproof fiber-glass faces for 15%, 20%, or 30% light transmission standards
- Designed for 40 lbs./sq. ft. (1915 Pa) live load
- 50% light transmission optional for north light or solar applications
- Withstand Class A Fire Brand



General Specifications for Standards

INSULATION: "U" = .29 standard. Options .53, .22 and .18 or Thermally Broken .23, .14, .10 and .05.

PANEL THICKNESS: 2 3/4" only.

LIGHT TRANSMISSION: Any interior/exterior combination of exclusive super weathering translucent faces with erosion barrier resulting in light transmission range of 14% to 60%. Options from 3% to 74% in other colors. See Kalwall brochure, 08 45 23/KAL, for full explanation.

GRID PATTERN: Geo-grid standard for Geo-Roof. Shoji pattern Pyramids and custom grids optional.

EXPOSED ALUMINUM FINISH: Standard is mill finish. Optional Kalwall corrosion-resistant finish in a variety of colors.

COLOR INSERTS: Color inserts are optional and available in a wide range of colors.

DESIGN LOAD: All standard Geo-Roofs and Pyramids designed for 40 lbs./sq.ft. live load, except as noted. Higher loads may require a different design.

FACTORY PRE-ASSEMBLY: Units up to 8' nominal pre-assembled into one piece. Geo-Roofs over 8' to 16' overall outside dimensions shipped in halves. Larger roofs shipped in segments. Pyramids shipped knock-down in 4 sections for 9' to 12' and 8 sections for 13' to 20'.

Since 1955
Kalwall®

kalwall.com
daylightmodeling.com

for faster service

1111 Candia Road, P.O. Box 237, Manchester, NH 03105 Phone +1 603-627-3861 or 800-258-9777 (N. America) Fax 603-627-7905



Kalwall Corporation is engaged in continued research to improve its products. Therefore, the right is reserved to modify or change material in this brochure without notice. All data in this brochure is correct to the best of our knowledge. However, no warranty is expressed or implied. Kalwall and Geo-Roof are registered trademarks of Kalwall Corporation. Lumira™ aerogel is a registered trademark of Cabot Corporation.

Printed on Recycled Paper

©2011 Kalwall Corporation 10/11 web