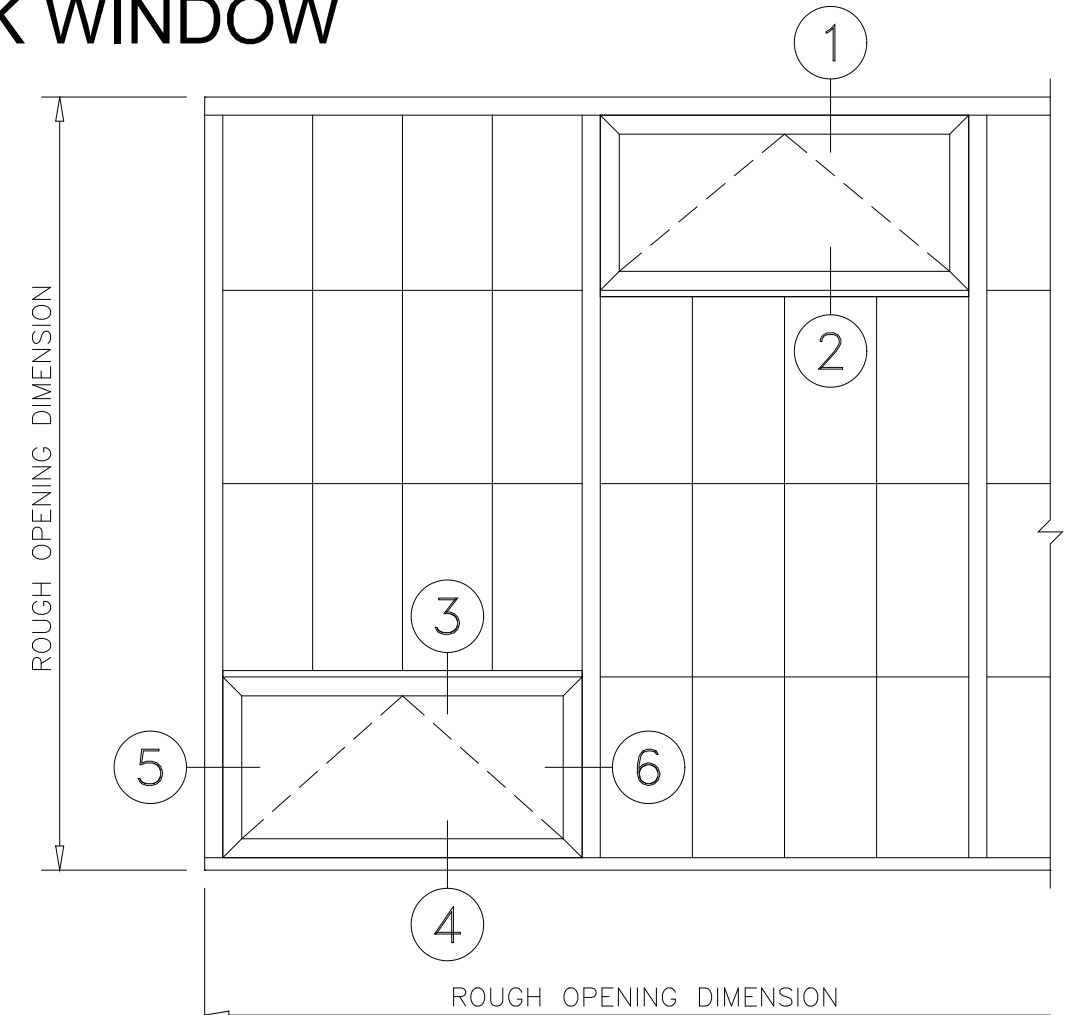
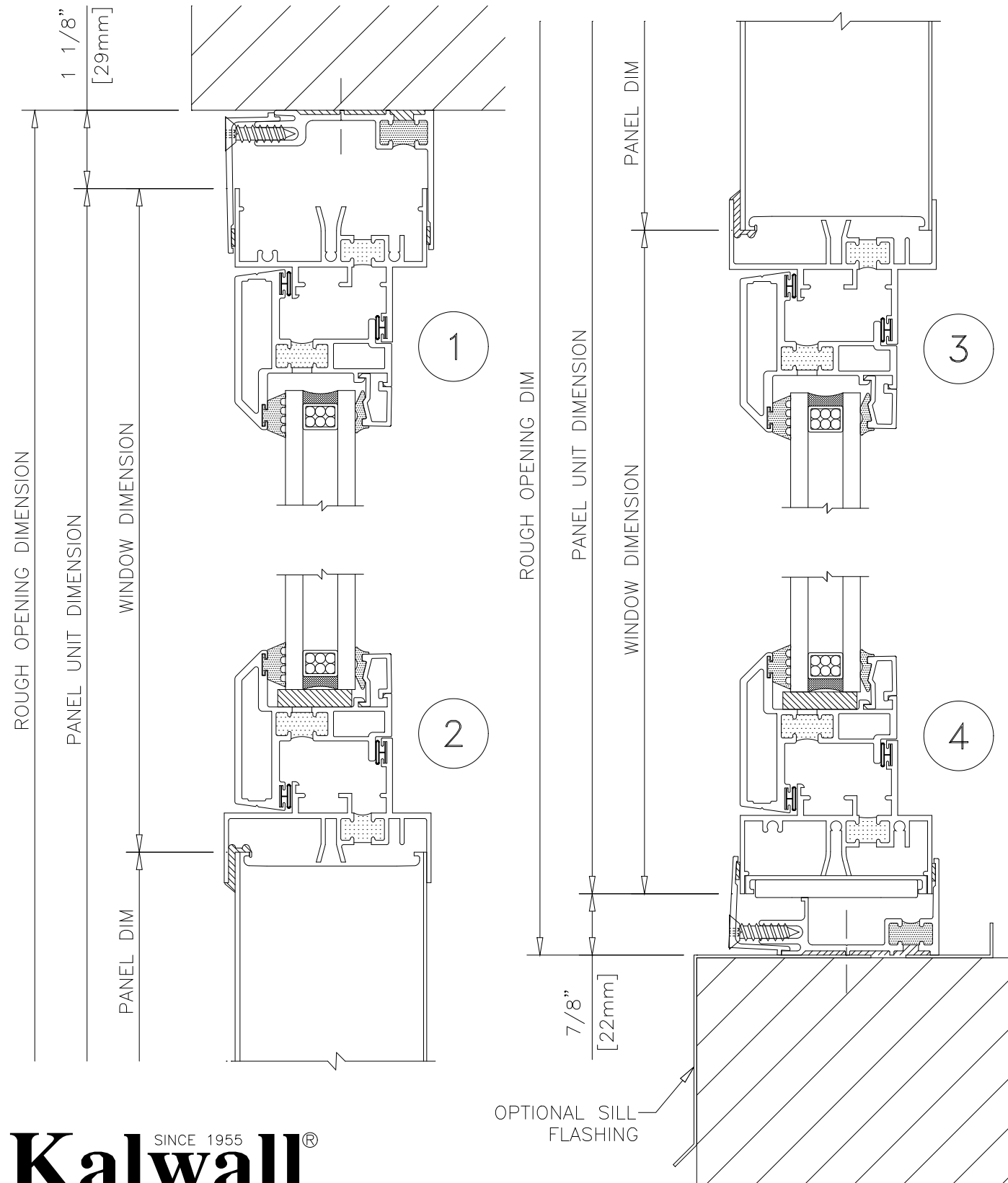


KALWALL HC-2000 REMOVABLE GLAZING BEAD PROJECT-OUT THERMAL BREAK WINDOW



WALL ELEVATION

