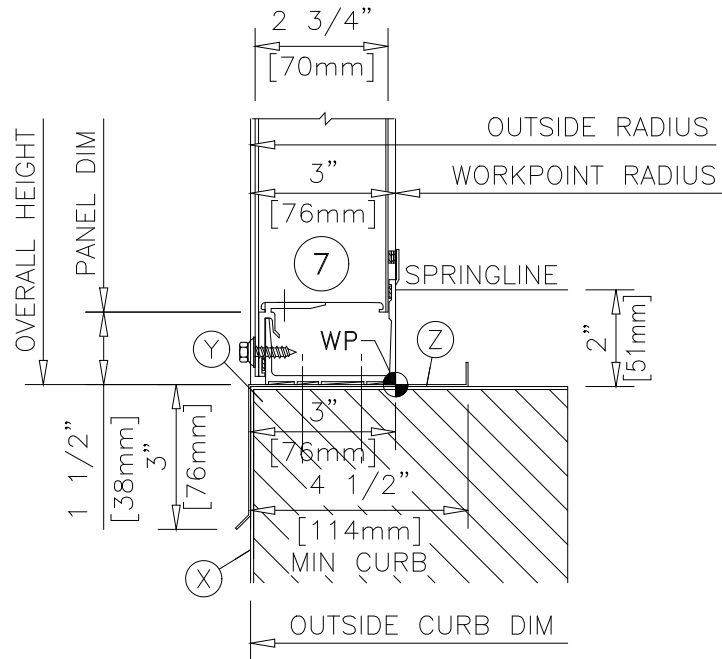
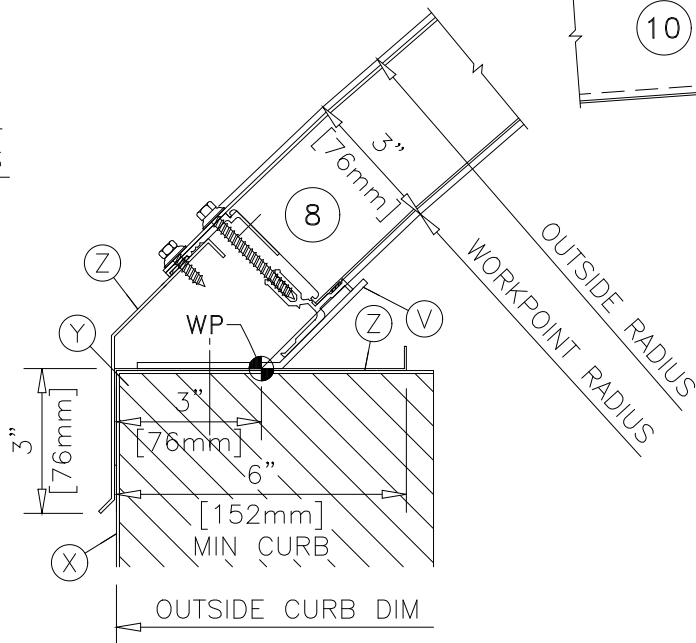


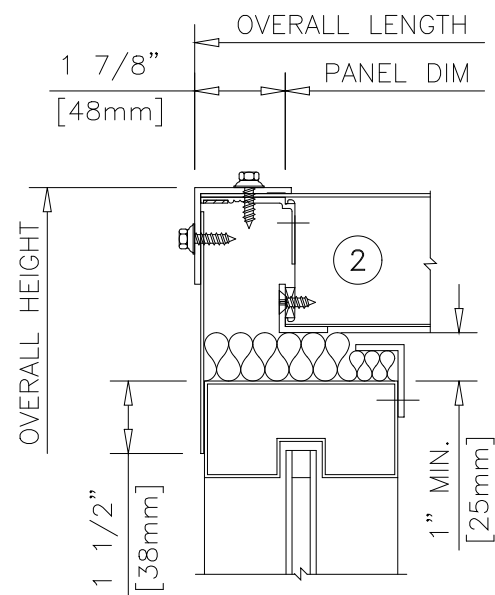
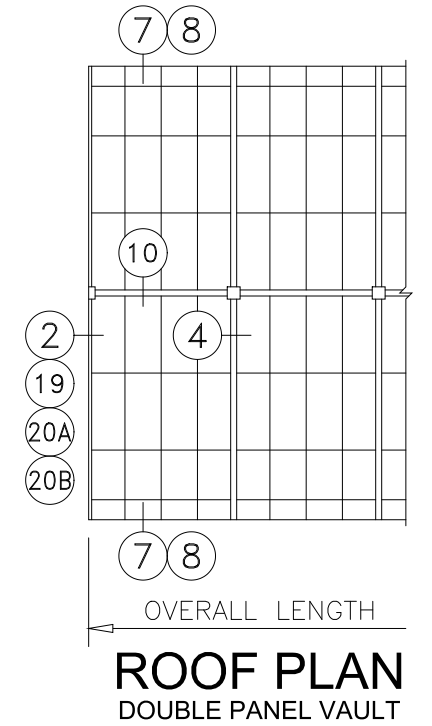
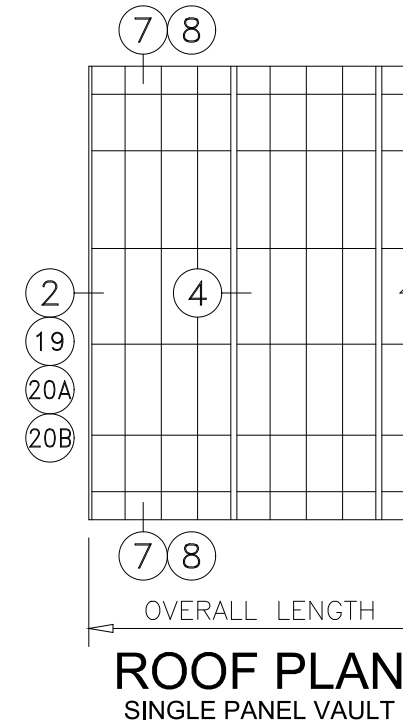
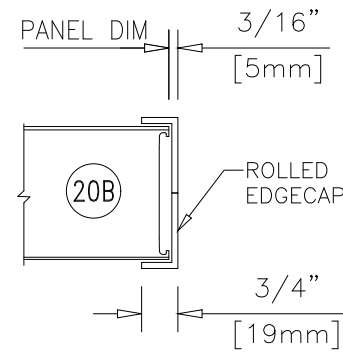
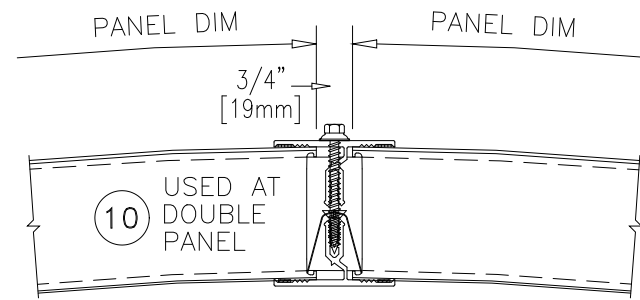
KALCURVE ROOFS



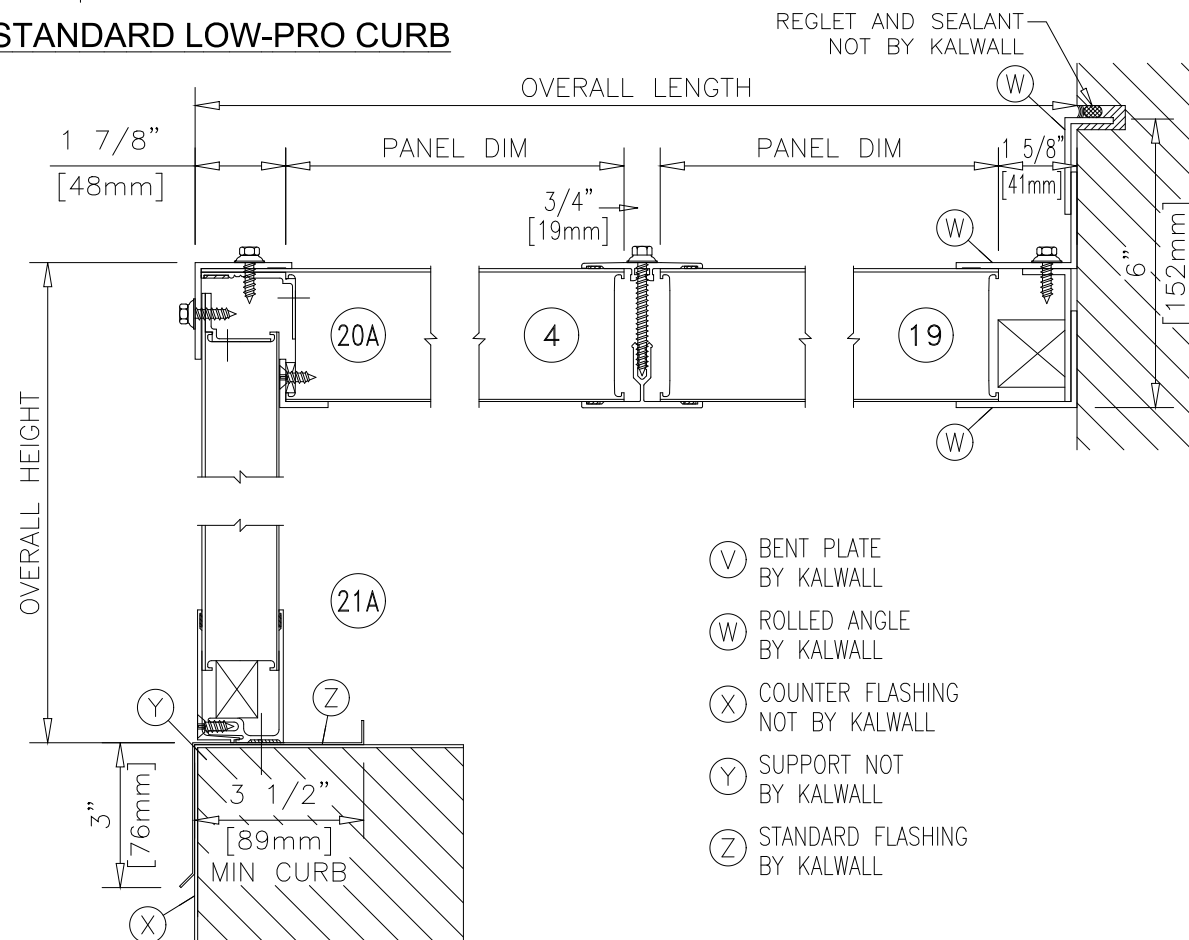
STANDARD 180° VAULT CURB



STANDARD LOW-PRO CURB



ENDWALL, NOT BY KALWALL, IS TO TRANSFER NO LATERAL LOADS TO KALWALL SYSTEM



- (V) BENT PLATE BY KALWALL
- (W) ROLLED ANGLE BY KALWALL
- (X) COUNTER FLASHING NOT BY KALWALL
- (Y) SUPPORT NOT BY KALWALL
- (Z) STANDARD FLASHING BY KALWALL

