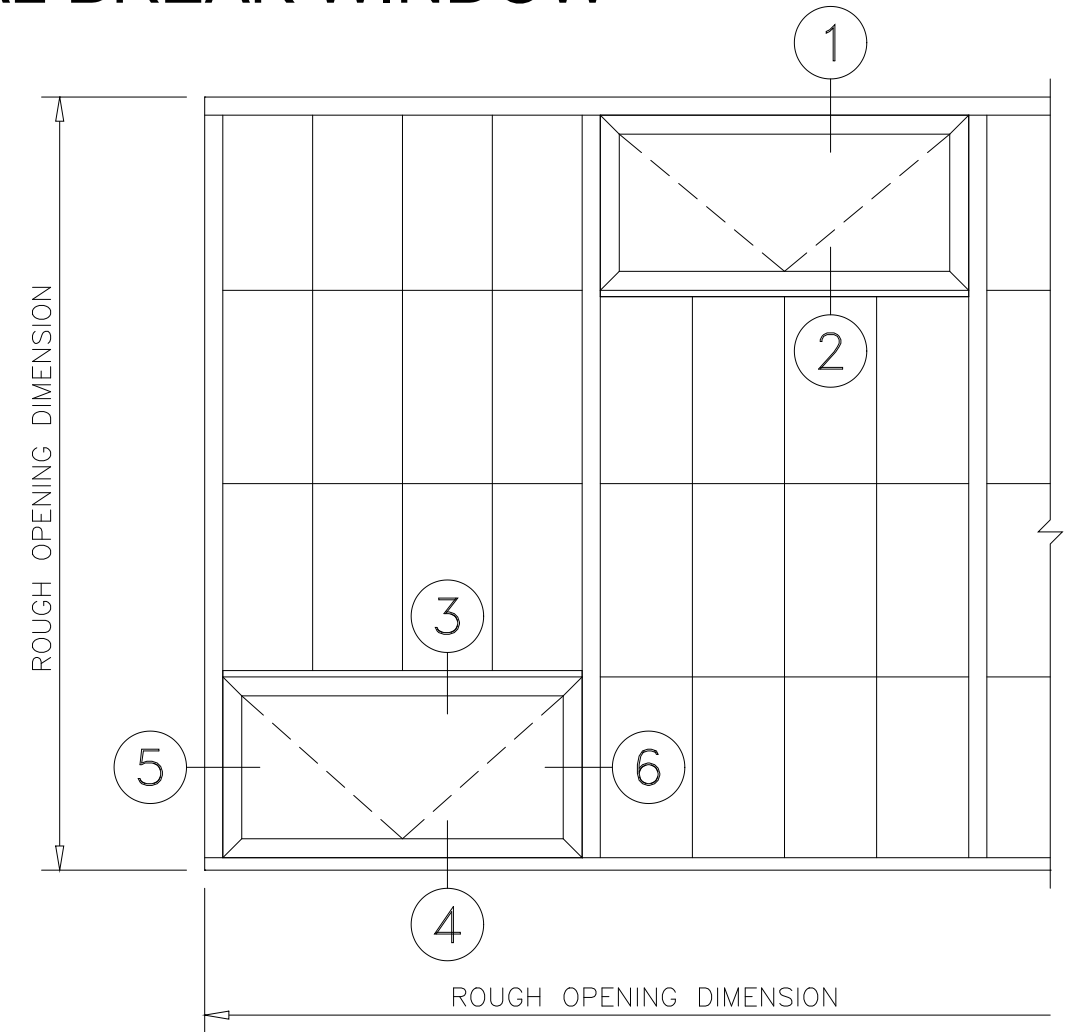
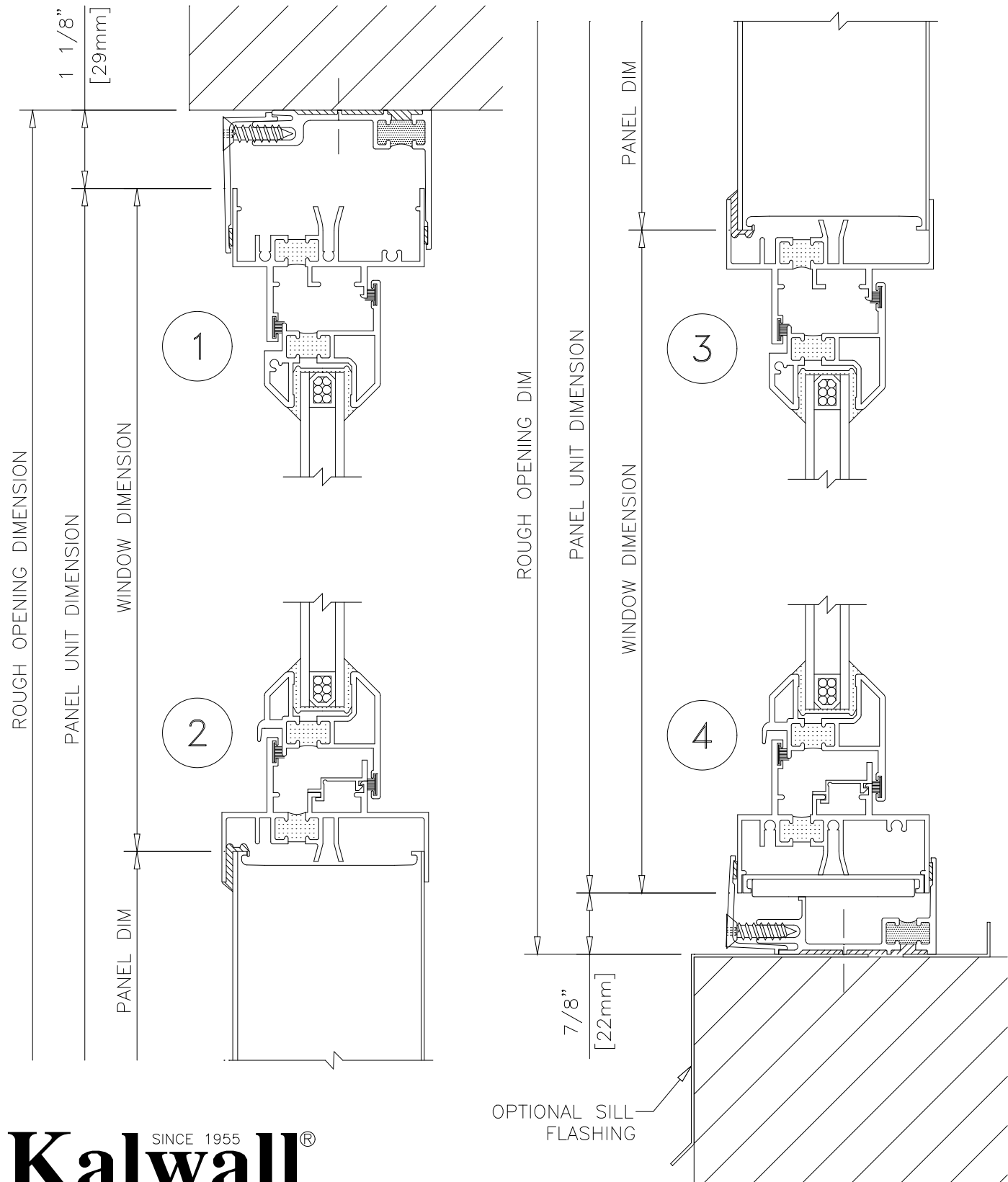


# KALWALL HP-1000 PROJECT-IN THERMAL BREAK WINDOW



WALL ELEVATION

