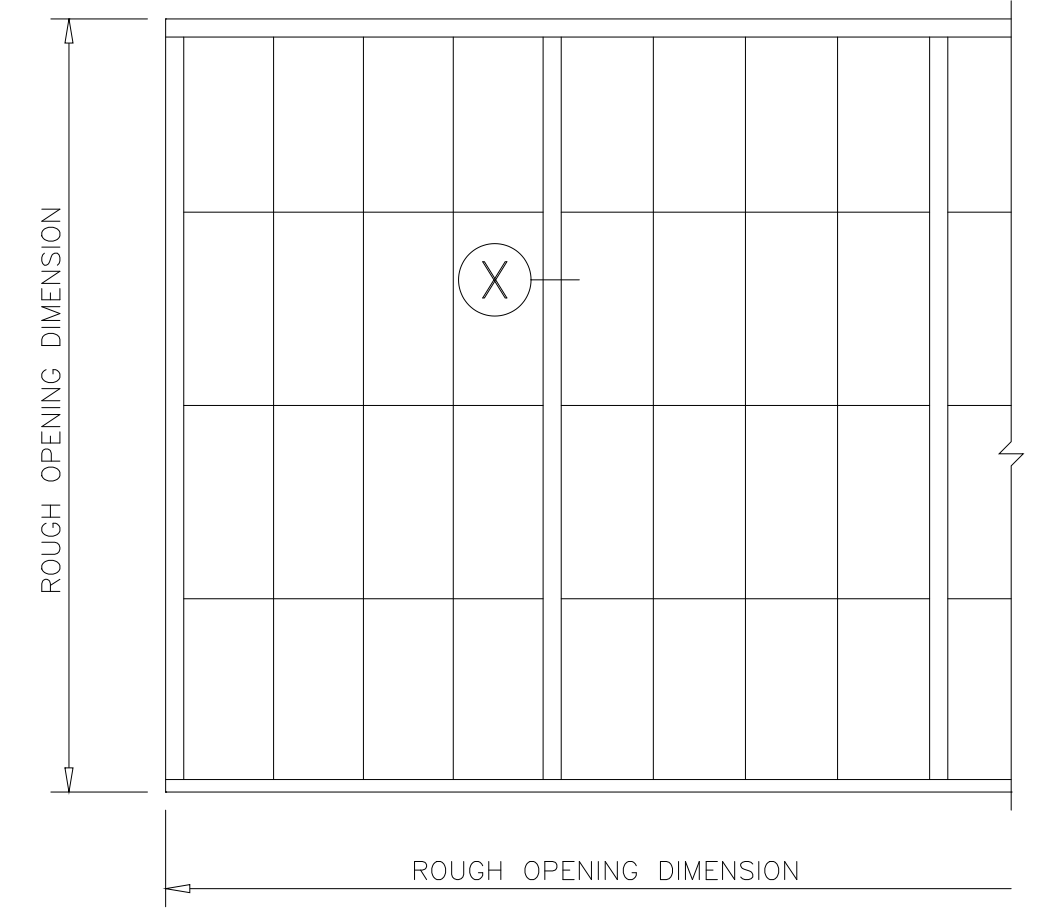
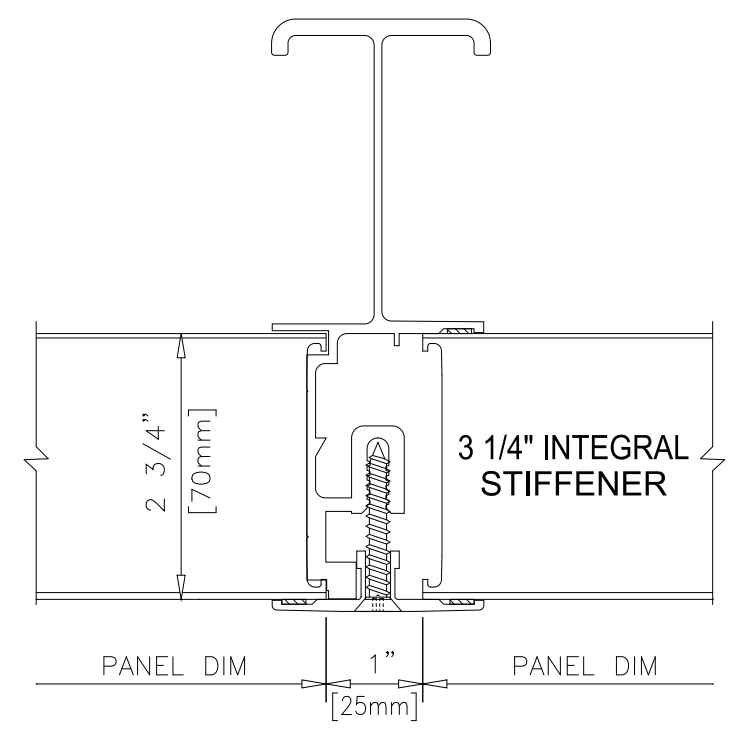
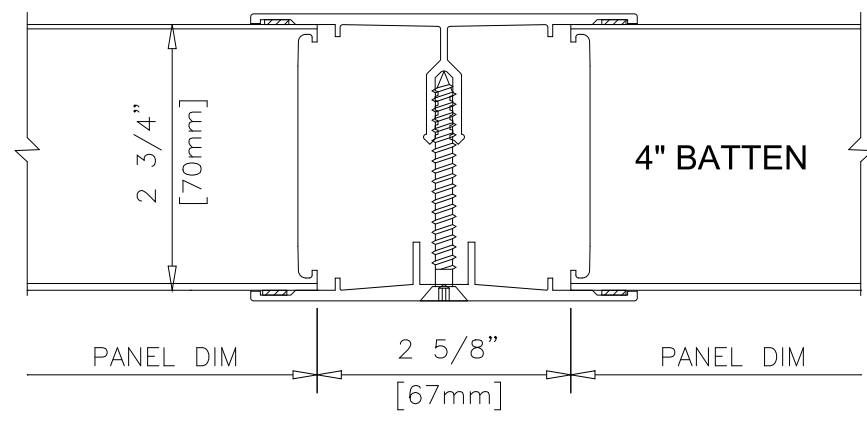
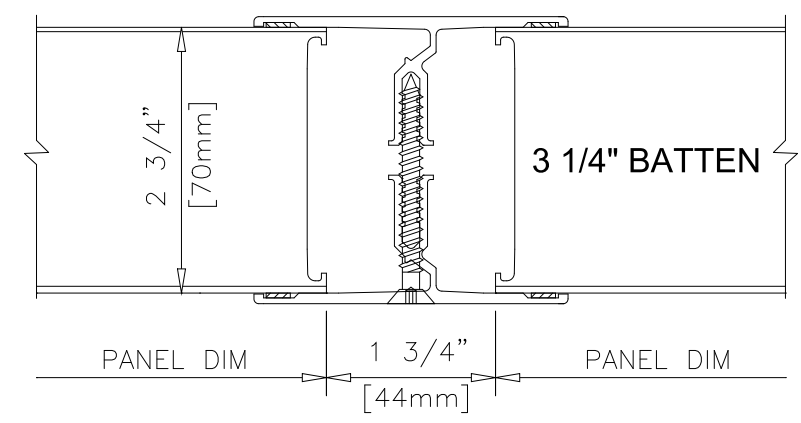
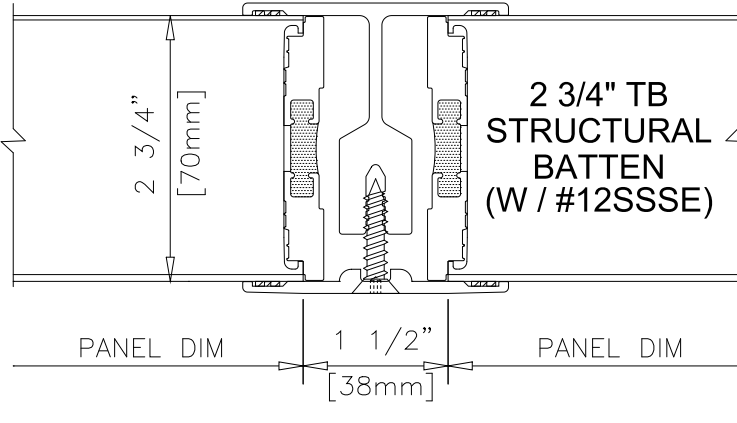
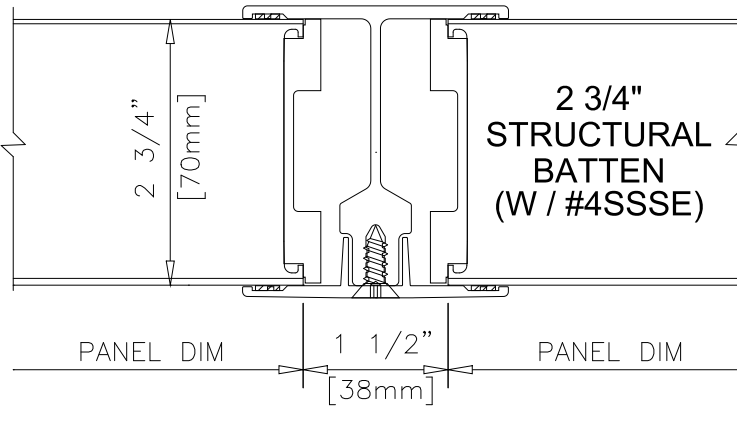
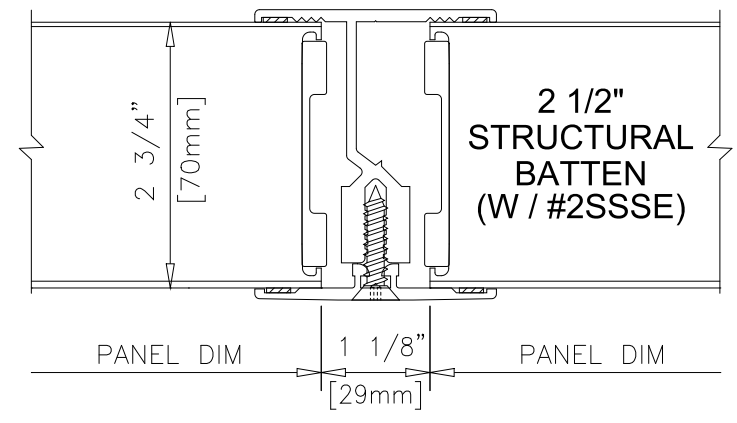
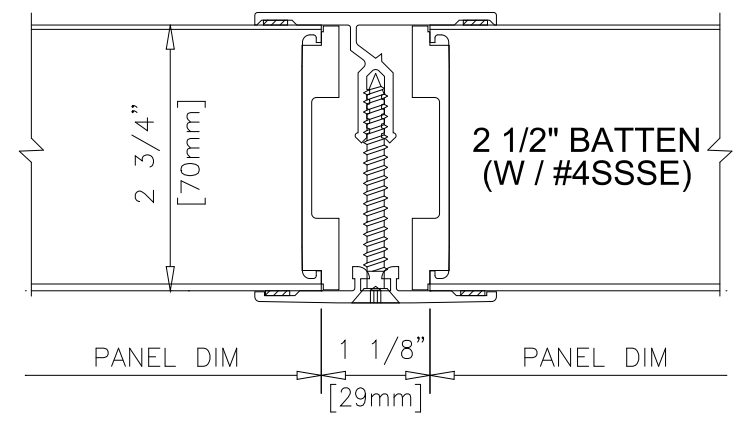


ADDITIONAL WALL BATTENS (BASED ON DESIGN REQUIREMENTS)



WALL ELEVATION

